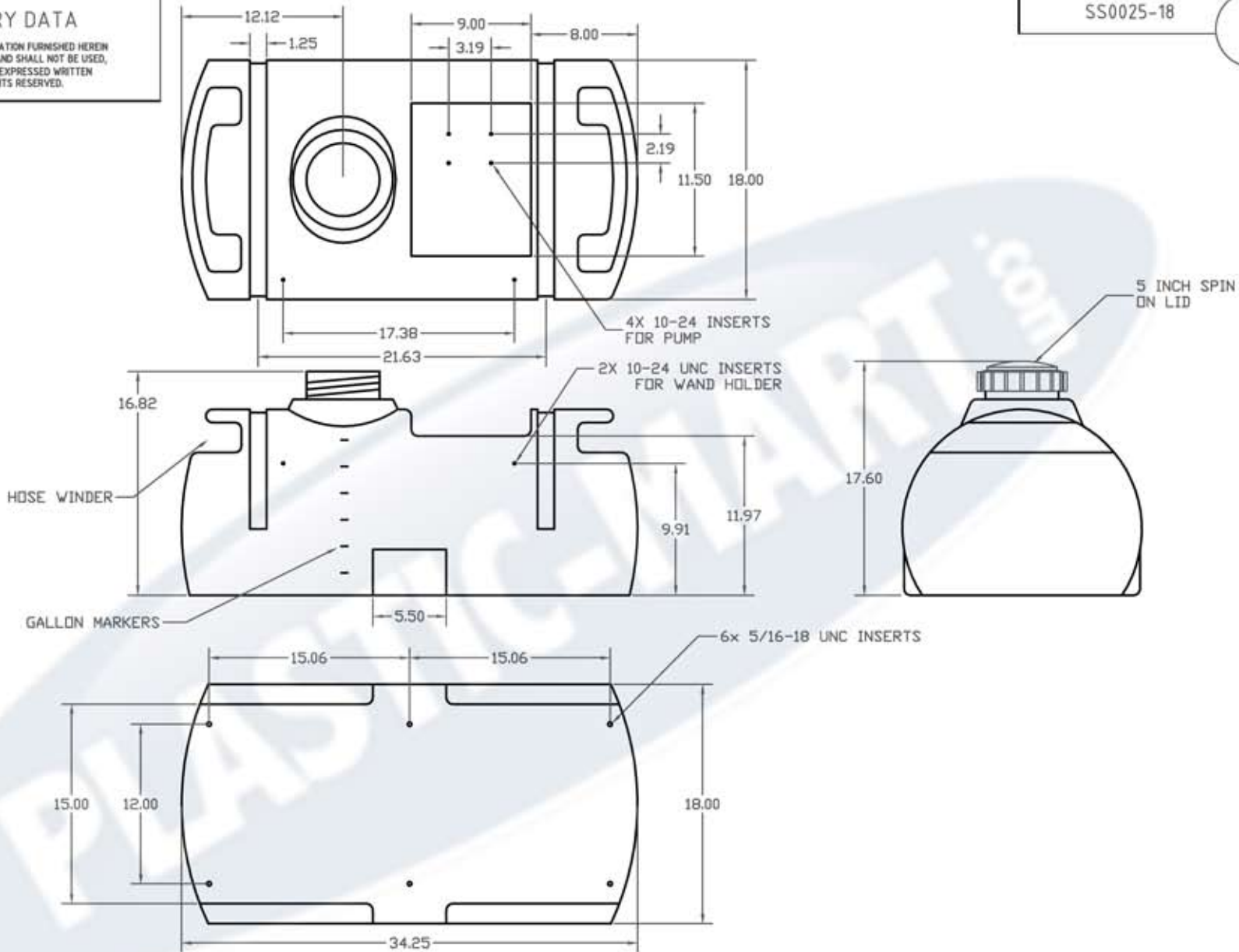


PROPRIETARY DATA

PROPERTY OF ACE ROTO-MOLD MFG., INC. INFORMATION FURNISHED HEREIN IS THE PROPERTY OF ACE ROTO-MOLD MFG., INC. AND SHALL NOT BE USED, DISCLOSED TO OTHERS, OR COPIED WITHOUT THE EXPRESSED WRITTEN CONSENT OF ACE ROTO-MOLD MFG., INC. ALL RIGHTS RESERVED.

SS0025-18

B



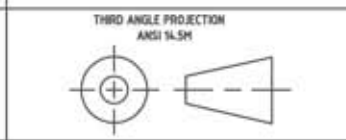
B	ADD OVERALL HEIGHT DIM	2/26/07
A	CHANGE PART #	9/28/06
REV	DESCRIPTION	DATE APPRD

DRAWN / DATE	DHJ 9/15/03
APPRD. / DATE	XXXXXXX

MATERIAL	HOPE OR EQUIVALENT REFERENCE MATERIAL DATA SHEET FOR SPECIFIC PROPERTIES.
----------	---

 <b>866-310-2556</b>	
CLIENT / DESCRIPTION	
25 GALLON SPOT SPRAYER	

ALL DIMENSIONS ARE IN DECIMAL INCHES  
TOLERANCES UNLESS OTHERWISE SPECIFIED  
± 1% @ 68° F



NOTES:  
1. NOM. WALL .175  
2. SHOT WEIGHT 13 LBS.

SCALE	N.S.	PART NO.	SS0025-18
-------	------	----------	-----------