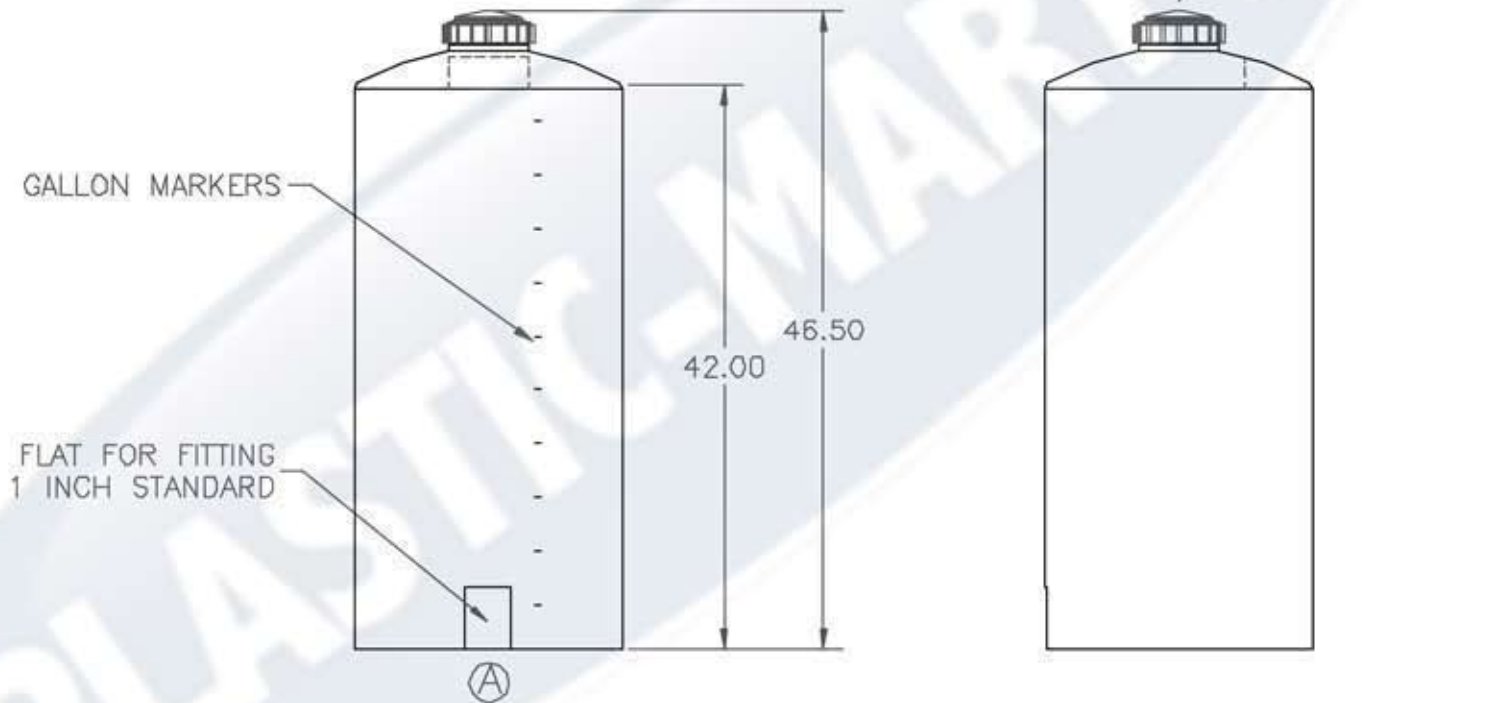
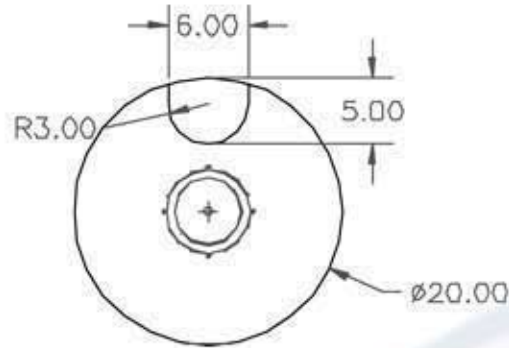


PROPRIETARY DATA


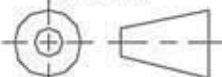
PROPERTY OF ACE ROTO-MOLD MFG., INC. INFORMATION FURNISHED HEREIN IS THE PROPERTY OF ACE ROTO-MOLD MFG., INC. AND SHALL NOT BE USED, DISCLOSED TO OTHERS, OR COPIED WITHOUT THE EXPRESSED WRITTEN CONSENT OF ACE ROTO-MOLD MFG., INC. ALL RIGHTS RESERVED.

VT0055-20

A



NOTE: THIS PRODUCT IS NOT DESIGNED TO CONTAIN PETROLEUM PRODUCTS. CONTACT THE FACTORY FOR CHEMICAL COMPATIBILITY.

				DRAWN / DATE DHJ 4/21/04	MATERIAL 22 LB. HDPE		 866-310-2556
A	CHANGE SUMP CLOSING	4/23/07	DHJ	APPRD. / DATE REH 5/8/07			
REV	DESCRIPTION	DATE	APPRD				55 GAL. VERTICAL TANK
ALL DIMENSIONS ARE IN DECIMAL INCHES TOLERANCES UNLESS OTHERWISE SPECIFIED ± 1% @ 68° F				THIRD ANGLE PROJECTION AND 1:1		NOTES: 1. NATURAL COLOR 2. NOM. WALL .200	
						SCALE N.S.	PART NO. VT0055-20