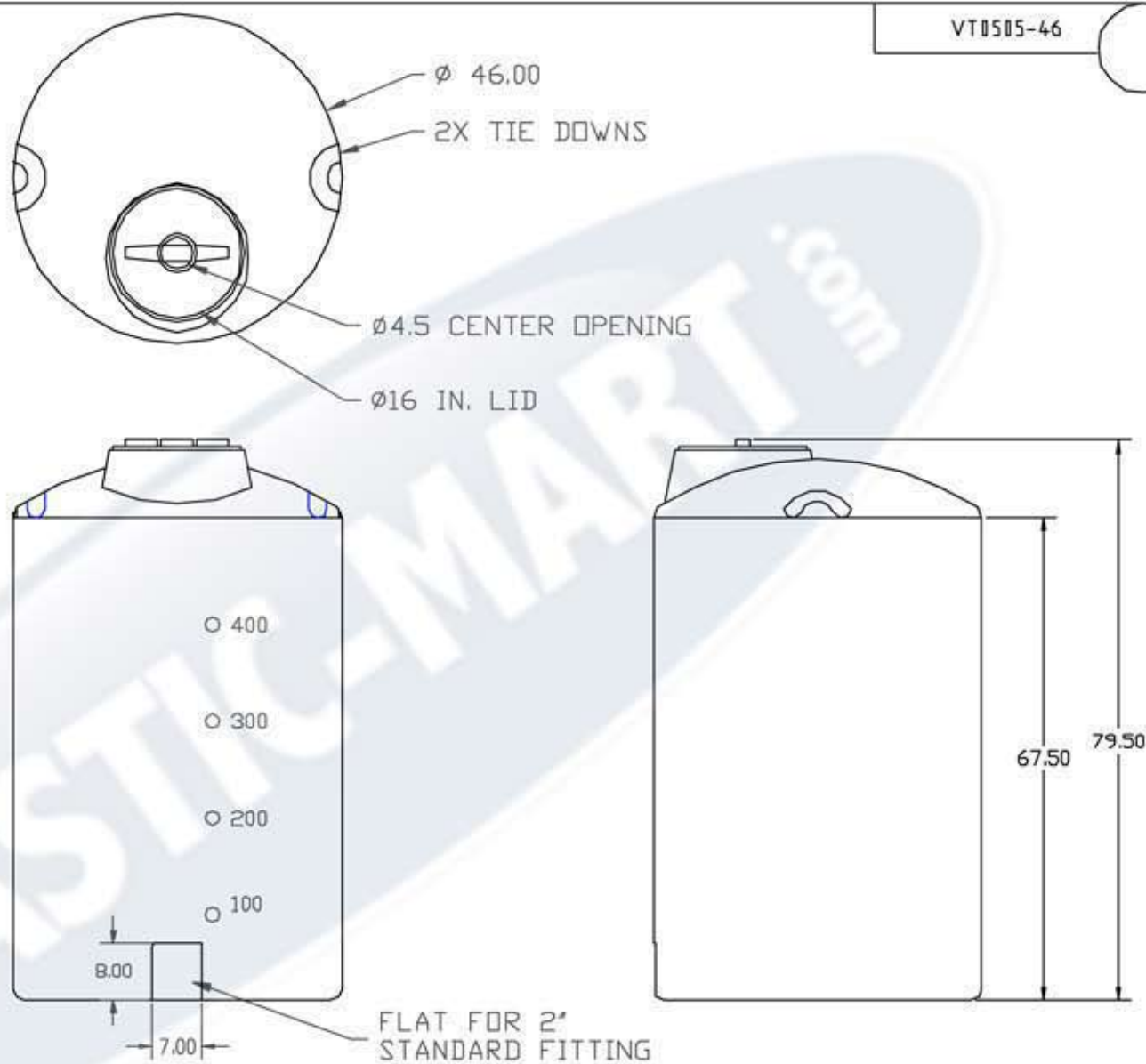
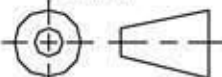


PROPRIETARY DATA

VT0505-46

PROPERTY OF ACE ROTO-HOLD MFG., INC. INFORMATION FURNISHED HEREIN IS THE PROPERTY OF ACE ROTO-HOLD MFG., INC. AND SHALL NOT BE USED, DISCLOSED TO OTHERS, OR COPIED WITHOUT THE EXPRESSED WRITTEN CONSENT OF ACE ROTO-HOLD MFG., INC. ALL RIGHTS RESERVED.



				DRAWN / DATE DHJ 3/19/13	MATERIAL HDPE OR EQUIVALENT REFERENCE MATERIAL DATA SHEET FOR SPECIFIC PROPERTIES.		 866-310-2556	
				APPRD. / DATE	CLIENT / DESCRIPTION 505 GALLON VERTICAL TANK			
REV	DESCRIPTION	DATE	APPRD	THIRD ANGLE PROJECTION AND 1/4" SH		NOTES: 1. BLUE, YELLOW, WHITE OR BLACK COLOR 2. SHOT WEIGHT 118 LBS.		SCALE N.S.
ALL DIMENSIONS ARE IN DECIMAL INCHES TOLERANCES UNLESS OTHERWISE SPECIFIED ± 1% @ 68° F						PART NO. VT0505-46		