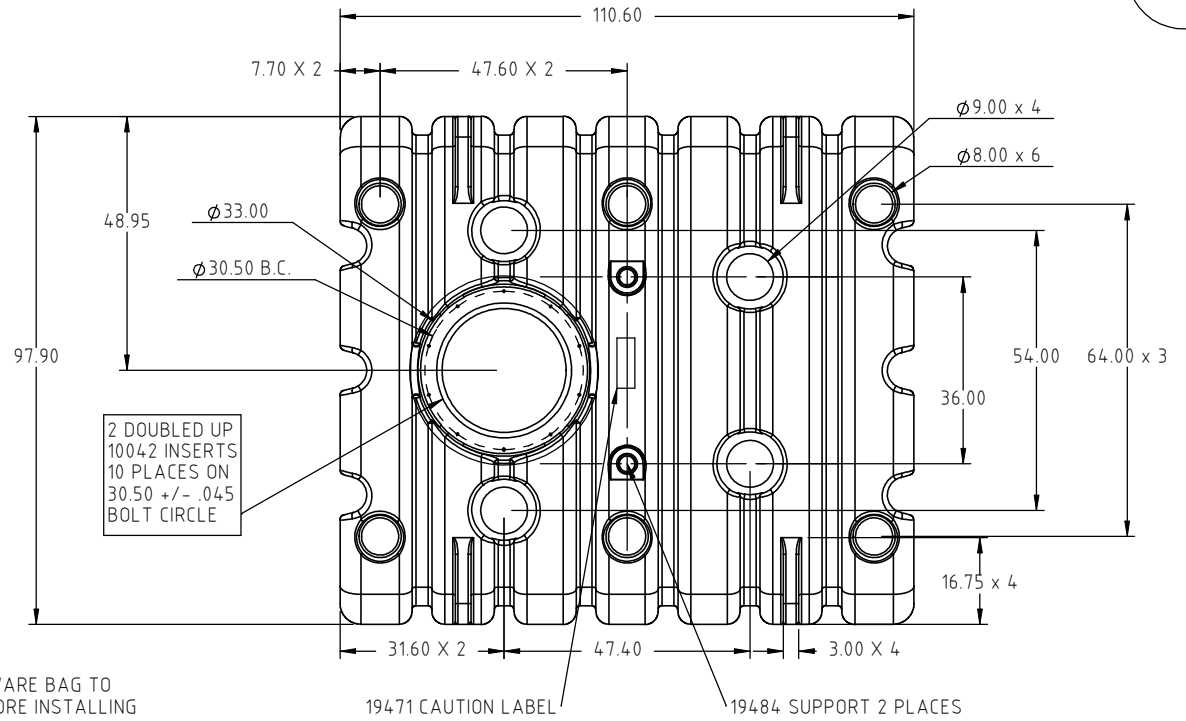


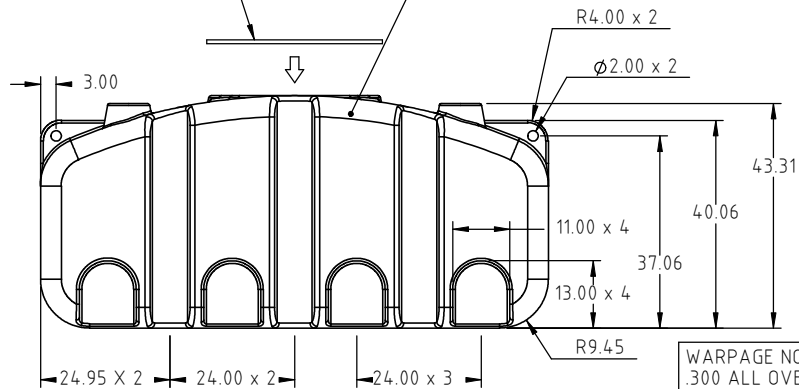
Copyright. All information furnished within this document, electronic file or design correspondence is the property of Den Hartog Industries, Inc. and shall not be used, disclosed to others or copied without the expressed written consent of Den Hartog Industries, Inc.



2 DOUBLED UP
10042 INSERTS
10 PLACES ON
30.50 +/- .045
BOLT CIRCLE

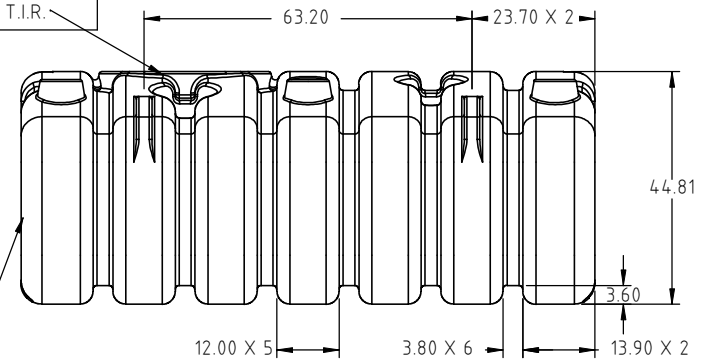
INSTALL 19465 COVER
FOR SHIPMENT WITH 2 X
10132 3/8" X 3/4" HEX BOLTS

FASTEN 12768 HARDWARE BAG TO
OPENING FLANGE BEFORE INSTALLING
19465 COVER



WARPAGE NOT TO EXCEED
.300 ALL OVER

LID SEAT TO BE FLAT
WITHIN .125 T.I.R.



				DRAWN / DATE ADH 5/11/09	MATERIAL 12769 M/B 10538 POWDER
				APPROD. / DATE REH 11/16/09	
REV	DESCRIPTION	BY / DATE	CCN	SHOT WEIGHT: 680 LB.	NOTES: 1.) 0.400 WALL THICKNESS
				SHIPPING WEIGHT: 685 LB.	
				FINISH:	
ALL DIMENSIONS ARE IN DECIMAL INCHES TOLERANCES UNLESS OTHERWISE SPECIFIED		THIRD ANGLE PROJECTION ANSI 14.5M			
POLYETHYLENE ±1% @ 68°F		METAL DECIMAL ± .125" FRACTION ± 1/4" ANGLE ± 1°			



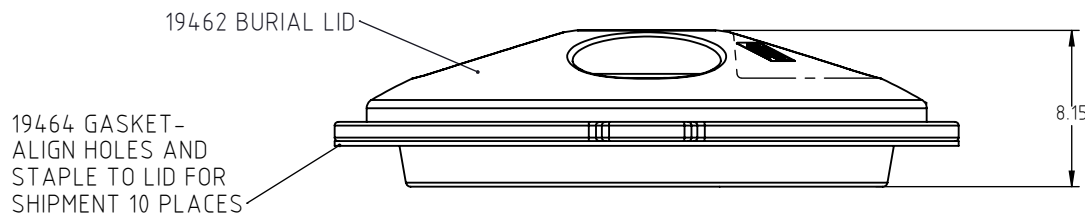
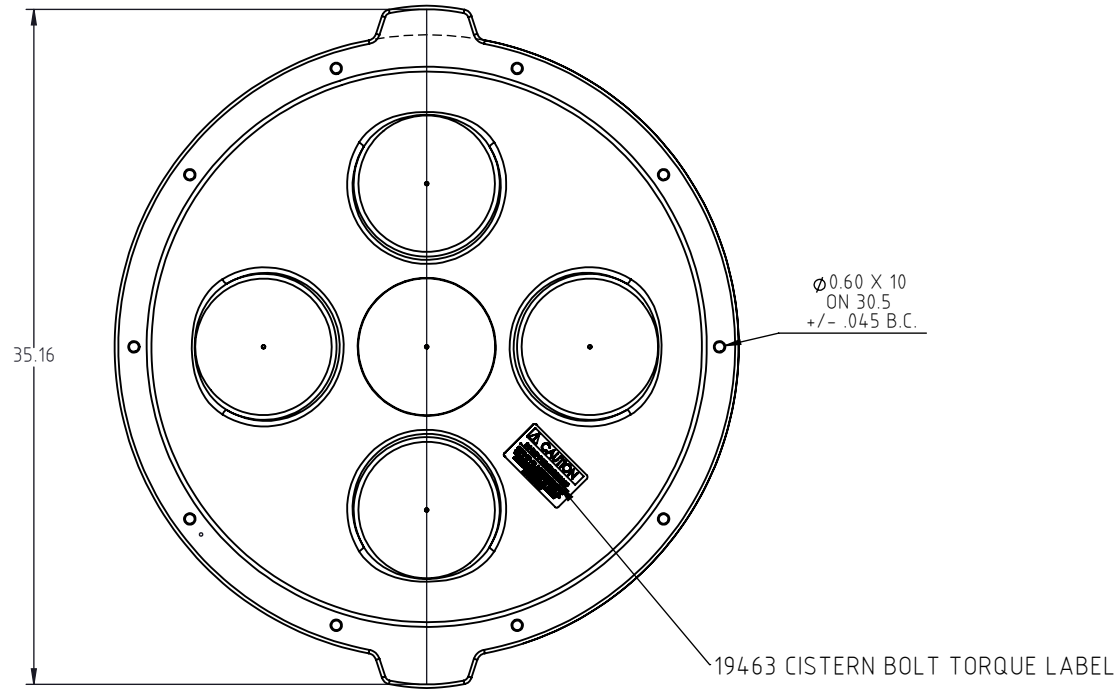
Den Hartog
INDUSTRIES, INC.

Acra Roto-Mold Injection Molding Blow Molding Sowjoy

4010 HOSPERS DRIVE S. BOX 425, HOSPERS, IOWA 51238-0425

DESCRIPTION	1500 GALLON CISTERN	
SCALE	N.S.	PART NO. ACT1500-LP

Copyright. All information furnished within this document, electronic file or design correspondence is the property of Den Hartog industries, Inc. and shall not be used, disclosed to others or copied without the expressed written consent of Den Hartog Industries, Inc.



NOTE: STRETCH WRAP FOR SHIPMENT

				DRAWN / DATE ADH 5/19/09	MATERIAL
				APPROD. / DATE REH 5/19/09	
REV	DESCRIPTION	BY / DATE	CCN		
ALL DIMENSIONS ARE IN DECIMAL INCHES TOLERANCES UNLESS OTHERWISE SPECIFIED		THIRD ANGLE PROJECTION ANSI 14.5M		SHOT WEIGHT: 17 LBS	NOTES:
POLYETHYLENE		METAL DECIMAL ± .125" FRACTION ± 1/4" ANGLE ± 1°		SHIPPING WEIGHT:	
±1% @ 68° F				FINISH:	



Den Hartog
INDUSTRIES, INC.

Ace Roto-Mold Injection Molding Blow Molding Sowjoy

4010 HOSPERS DRIVE S. BOX 425, HOSPERS, IOWA 51238-0425

DESCRIPTION CISTERN BURIAL LID AND GASKET	
SCALE N.S.	PART NO. ACT-16053