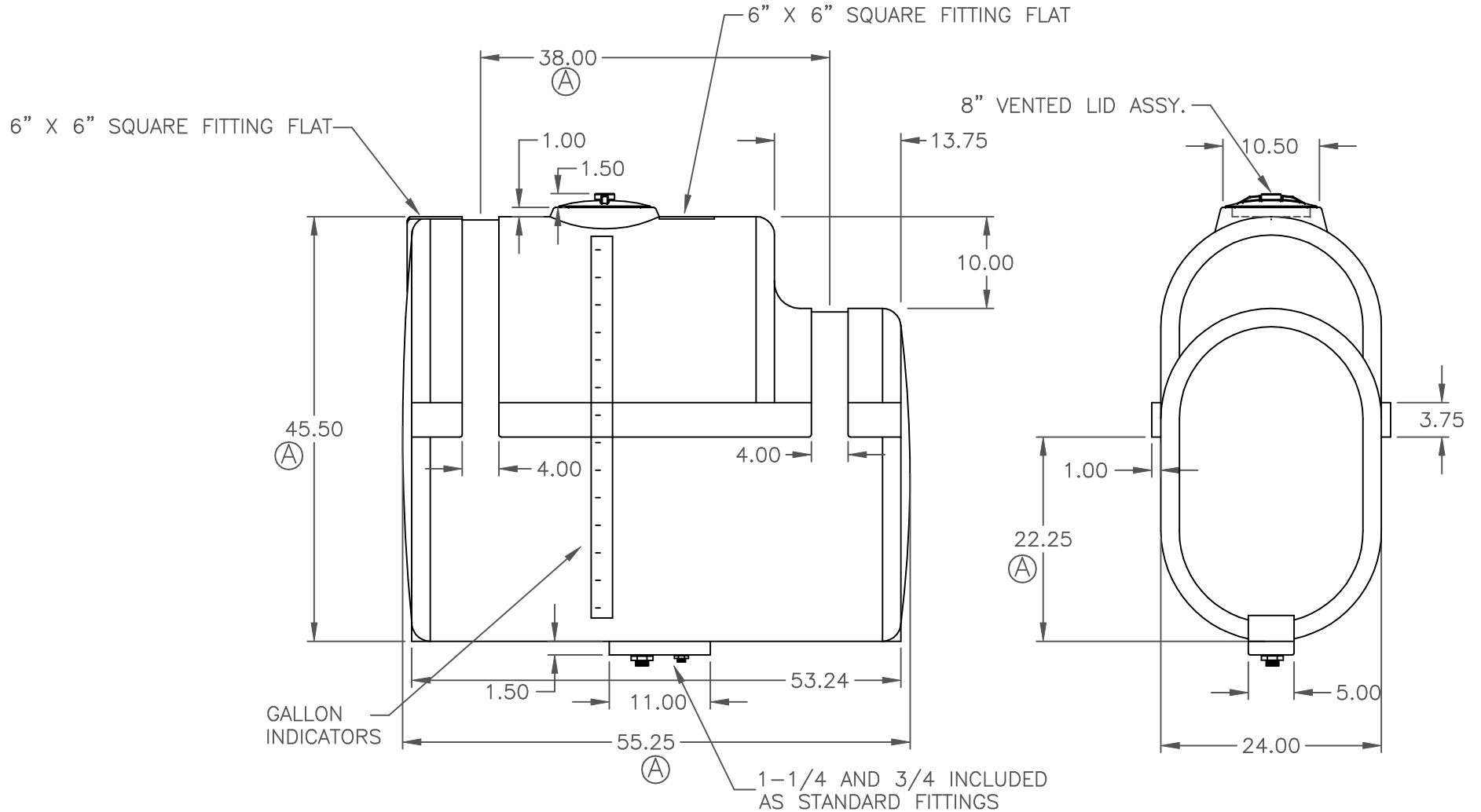


PROPRIETARY DATA

PROPERTY OF ACE ROTO-MOLD MFG., INC. INFORMATION FURNISHED HEREIN IS THE PROPERTY OF ACE ROTO-MOLD MFG., INC. AND SHALL NOT BE USED, DISCLOSED TO OTHERS, OR COPIED WITHOUT THE EXPRESSED WRITTEN CONSENT OF ACE ROTO-MOLD MFG., INC. ALL RIGHTS RESERVED.

CAW0200-24

A



				DRAWN / DATE REH / 4/19/99	MATERIAL	<b>ACE ROTO-MOLD</b> A DIVISION OF DEN HARTOG INDUSTRIES, INC. 4010 HWY. 60 BLVD. BOX 425 HOSPERS, IA. 51238	
A	UPDATE DIMENSION	3/28/07	APPRD. / DATE REH / 4/19/99	80 LB. MOBIL	CLIENT / DESCRIPTION		
REV	DESCRIPTION	DATE	APPRD.			SCALE	PART NO.
ALL DIMENSIONS ARE IN DECIMAL INCHES TOLERANCES UNLESS OTHERWISE SPECIFIED $\pm 1\% @ 68^{\circ} F$				THIRD ANGLE PROJECTION ANSI 14.5M 	NOTES: 1. NATURAL COLOR 2. NOM. WALL .300	N.S.	CAW0200-24