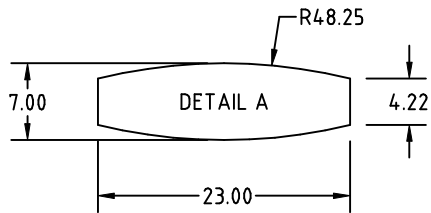


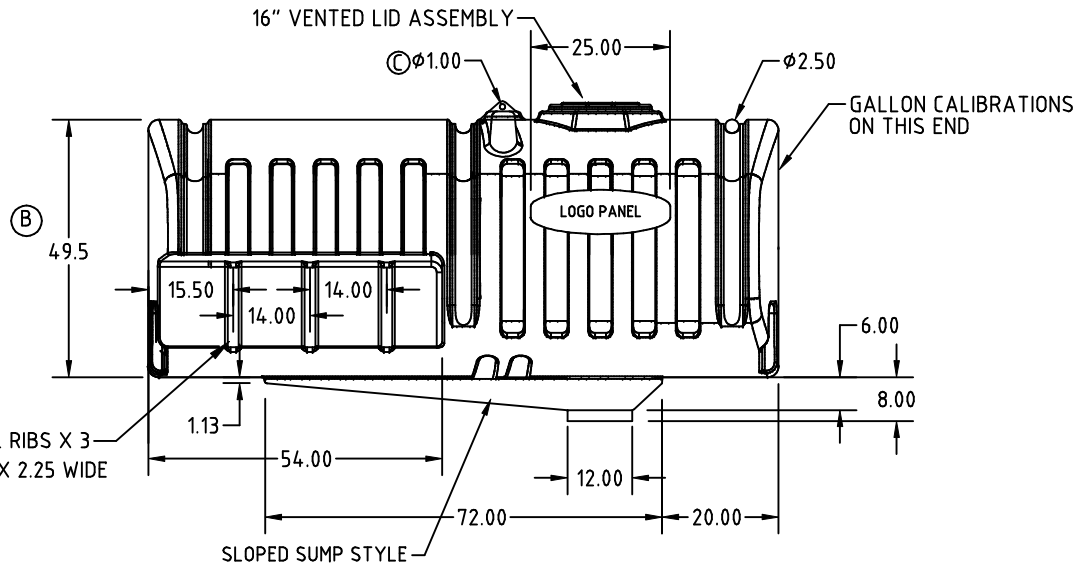
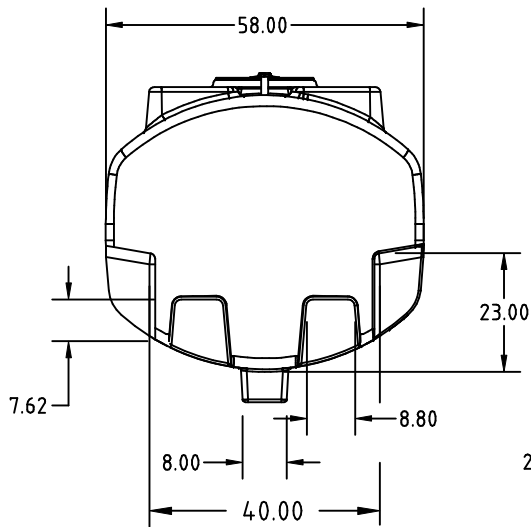
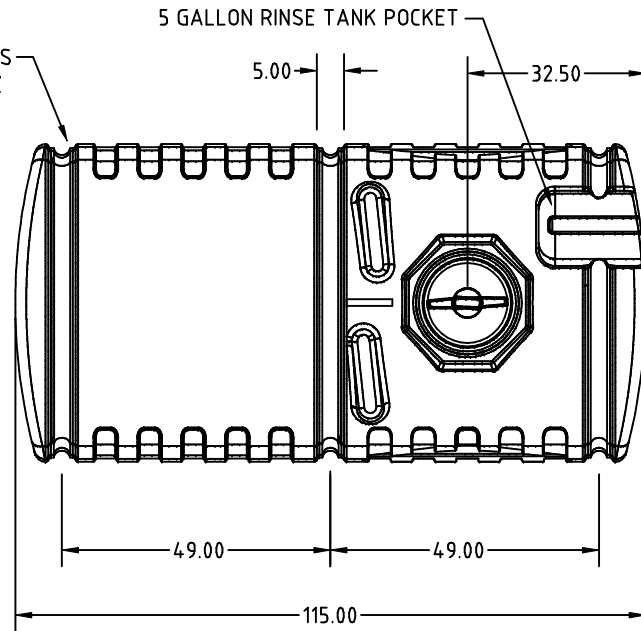
Copyright. All information furnished within this document, electronic file or design correspondence is the property of Den Hartog Industries, Inc. and shall not be used, disclosed to others or copied without the expressed written consent of Den Hartog Industries, Inc.



MAX. SIZE FOR CROP CARE GRAPHICS
INCLUDES BACKING PAPER



USE METAL STRAPS OR HOOPS
TO FASTEN TANK TO MACHINE



C	LIFTING LUG DETAIL ADDED/ DRAWING TEMPLATE UPDATED	ADH 6/30/09	1892	DRAWN / DATE REH/5/22/02	MATERIAL 1.) MDPE
B	49.5 WAS 51	8/21/02		APPRD. / DATE DHJ/5/22/02	
A	51 WAS 47	6/4/02			
REV	DESCRIPTION	BY / DATE	CCN		
ALL DIMENSIONS ARE IN DECIMAL INCHES TOLERANCES UNLESS OTHERWISE SPECIFIED		THIRD ANGLE PROJECTION ANSI 14.5M		SHOT WEIGHT: 305 LB.	NOTES: 1. AVAILABLE IN NATURAL OR YELLOW COLOR. 2. NOM. WALL = .320
POLYETHYLENE		METAL DECIMAL ± .125" FRACTION ± 1/4" ANGLE ± 1°		SHIPPING WEIGHT: 345 LB.	
±1% @ 68° F				FINISH:	

Den Hartog

INDUSTRIES, INC.

Ace Roto-Mold Injection Molding Blow Molding Sowjoy
4010 HOSPERS DRIVE S. BOX 425, HOSPERS, IOWA 51238-0421

DESCRIPTION 1000 GALLON CROP CARE NARROW TANK - SLOPED SUMP

SCALE N.S. **PART NO.** CC1000-58N