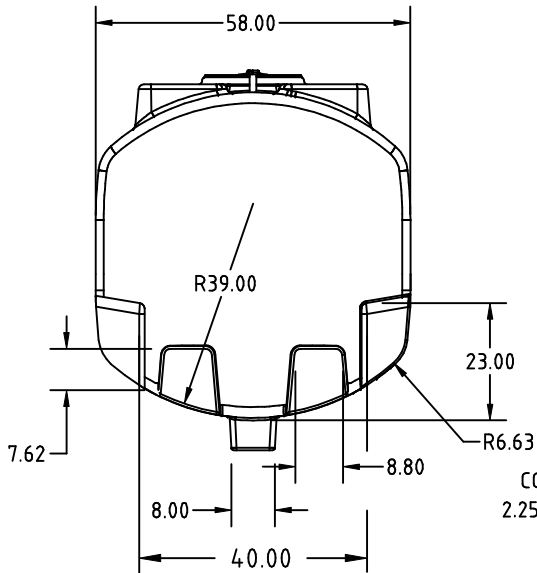
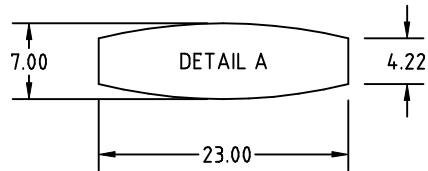
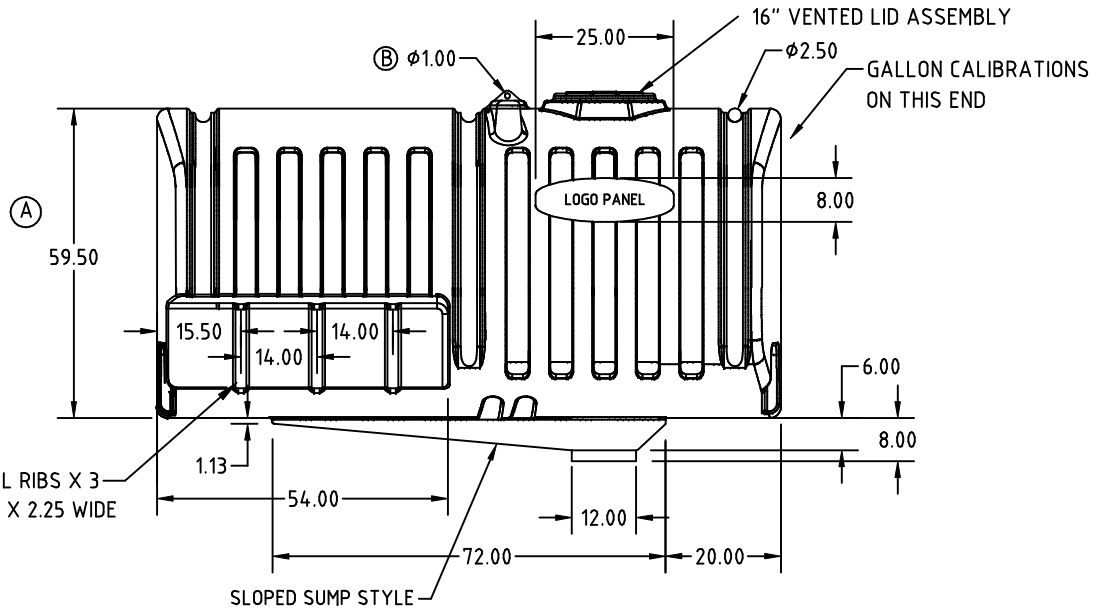
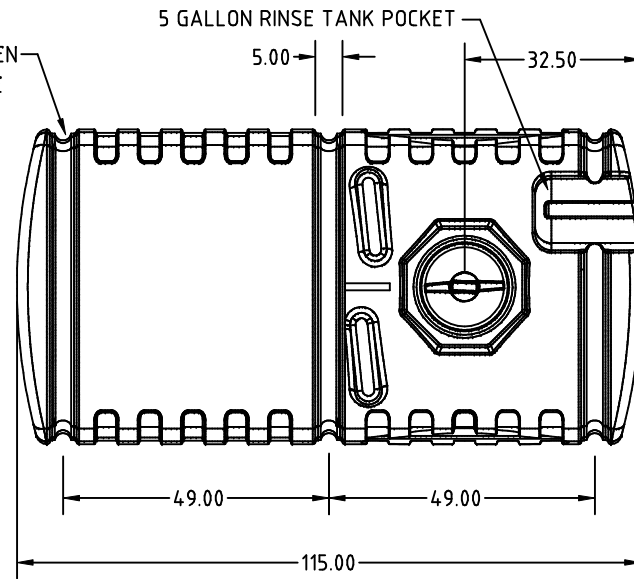


Copyright. All information furnished within this document, electronic file or design correspondence is the property of Den Hartog Industries, Inc. and shall not be used, disclosed to others or copied without the expressed written consent of Den Hartog Industries, Inc.

MAX. SIZE FOR CROP CARE GRAPHICS
INCLUDES BACKING PAPER




USE HOOPS TO FASTEN
TANK TO MACHINE



B	LIFTING LUG DETAIL ADDED/ DRAWING TEMPLATE UPDATED	ADH 7/2/09	1892
A	59.50 WAS 61	8/22/02	
REV	DESCRIPTION	BY / DATE	CCN
ALL DIMENSIONS ARE IN DECIMAL INCHES TOLERANCES UNLESS OTHERWISE SPECIFIED		THIRD ANGLE PROJECTION ANSI 14.5M	
POLYETHYLENE ±1% @ 68° F			
METAL DECIMAL ± .125" FRACTION ± 1/4" ANGLE ± 1°			

DRAWN / DATE	REH/7/13/02
APPRD. / DATE	DHJ/7/13/02
SHOT WEIGHT:	432 LBS
SHIPPING WEIGHT:	480 LBS
FINISH:	

MATERIAL	1.) MDPE
NOTES:	1. AVAILABLE IN NATURAL 2. NEW YEAR COLOR.



Den Hartog
INDUSTRIES, INC.
Ace Roto-Mold Injection Molding Blow Molding Sawjoy
4010 HOSPERS DRIVE S. BOX 425, HOSPERS, IOWA 51238-0421

DESCRIPTION		1250 GALLON CROP CARE NARROW TANK - SLOPED SUMP	
SCALE	N.S.	PART NO.	CC1250-58N