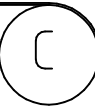
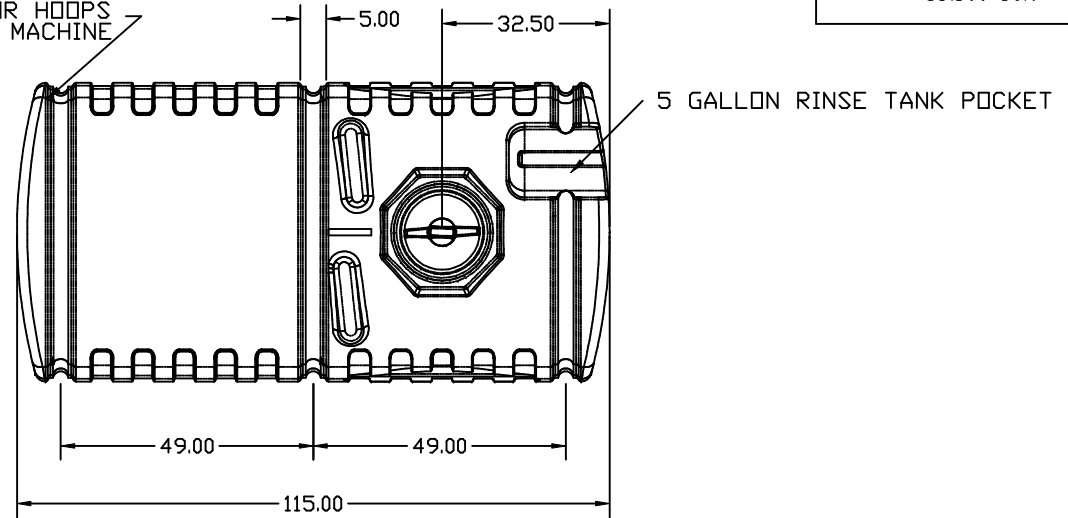


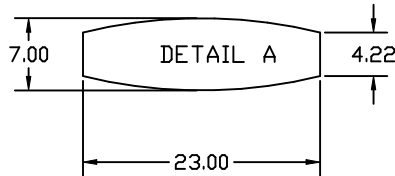
Copyright. All information furnished within this document, electronic file or design correspondence is the property of Den Hartog Industries, Inc. and shall not be used, disclosed to others or copied without the expressed written consent of Den Hartog Industries, Inc.



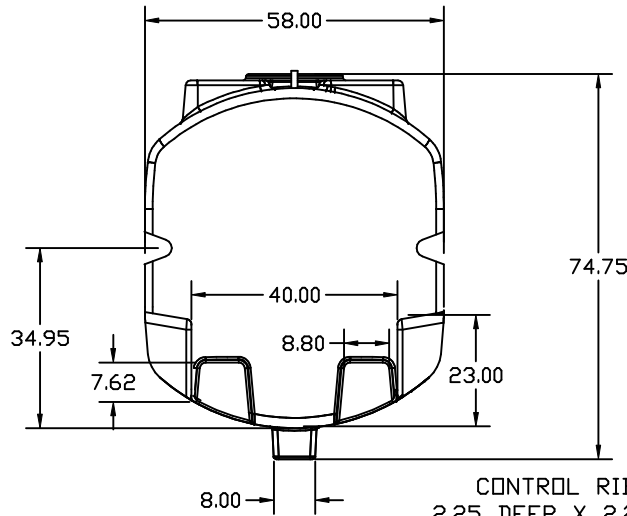
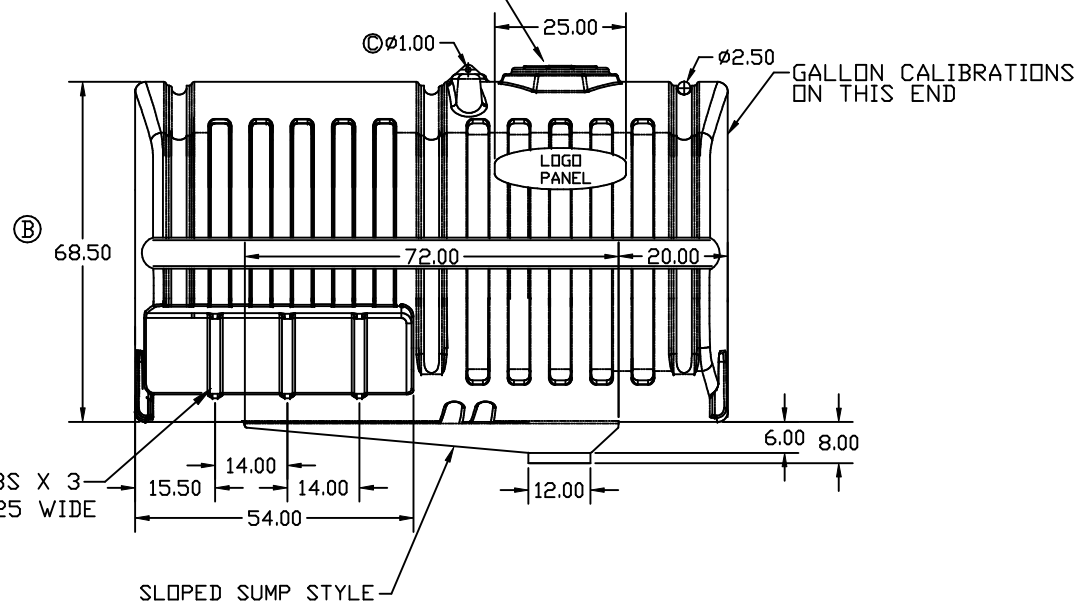
USE METAL STRAPS OR HOOPS TO FASTEN TANK TO MACHINE



MAX. SIZE FOR CROP CARE GRAPHICS
INCLUDES BACKING PAPER



16" VENTED LID ASSEMBLY



C	LIFTING LUG DETAIL ADDED/ DRAWING TEMPLATE UPDATED	ADH 7/2/09	1892	DRAWN / DATE REH 5/30/02	MATERIAL MDPE REFERENCE MATERIAL DATA SHEET FOR SPECIFIC PROPERTIES.
B	68.50 WAS 70	8/22/02		APPRD. / DATE DHJ 5/30/02	
A	70 WAS 66	6/4/02			
REV	DESCRIPTION	BY / DATE	CCN		
ALL DIMENSIONS ARE IN DECIMAL INCHES TOLERANCES UNLESS OTHERWISE SPECIFIED		THIRD ANGLE PROJECTION ANSI 14.5M		SHOT WEIGHT: 483 LBS.	NOTES: 1.) NOM. WALL @ .425 2.) NATURAL OR YELLOW COLOR
POLYETHYLENE		METAL DECIMAL $\pm .125"$ FRACTION $\pm 1/4"$ ANGLE $\pm 1^\circ$		SHIPPING WEIGHT: 550 LBS	
$\pm 1\%$ @ 68° F				FINISH:	



Den Hartog
INDUSTRIES, INC.

Ace Roto-Mold Injection Molding Blow Molding SowJoy
4010 HOSPERS DRIVE S. BOX 425, HOSPERS, IOWA 51238-0421

DESCRIPTION 1500 GALLON NARROW CROP CARE TANK - SLOPED SUMP

SCALE N.S.

PART NO. CC1500-58N