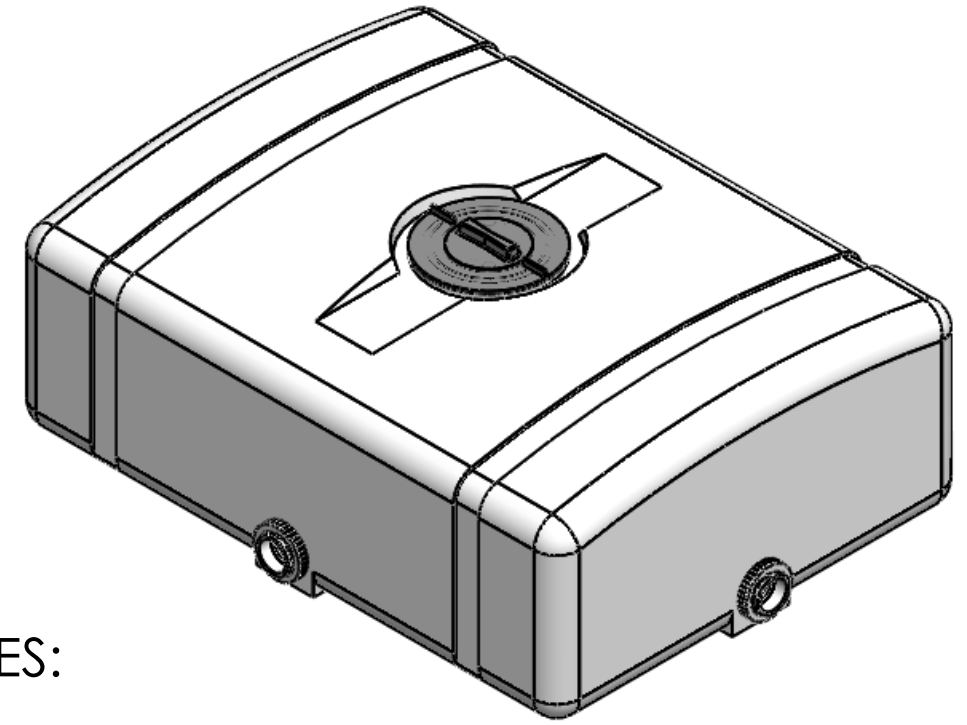
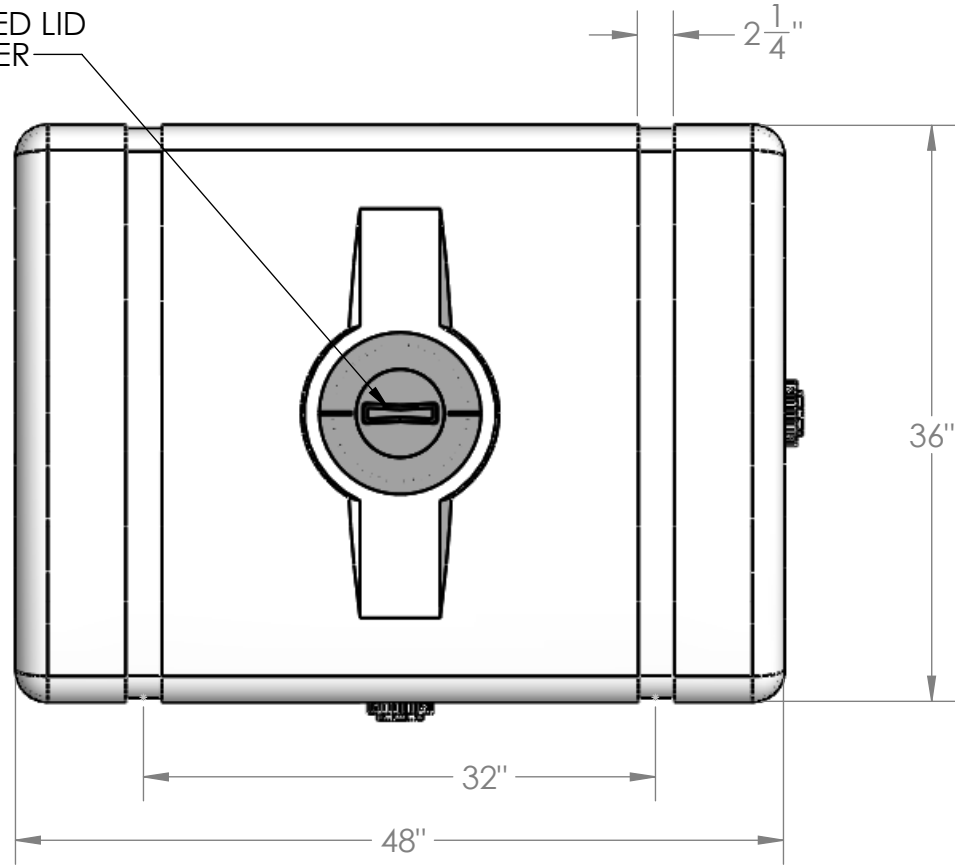


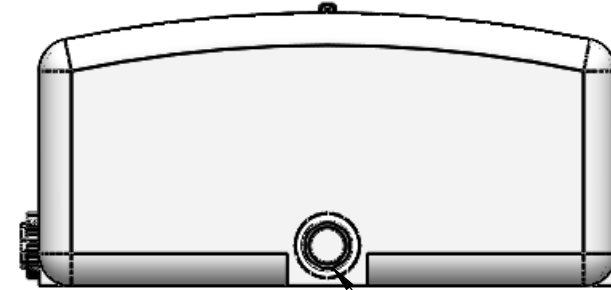
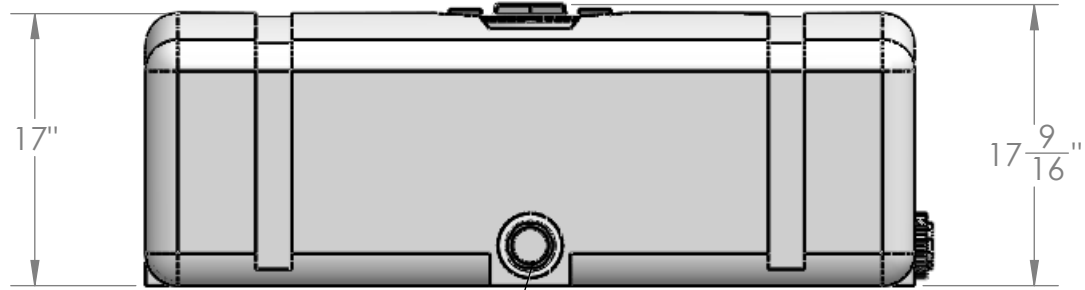
8 7 6 5 4 3 2 1

8" THREADED LID  
W/BREATHER



NOTES:

1. MATERIAL: HDPE
2. WEIGHT: 55 LBS.
3. CAPACITY: 110 GALLONS
4. SPECIFY LONG OR SHORT SIDE FOR FITTING PLACEMENT.



2" POLYPRO INSTALLED SHORT SIDE

2" POLYPRO  
INSTALLED LONG SIDE

**PROPRIETARY AND CONFIDENTIAL**  
THE INFORMATION CONTAINED IN THIS DRAWING IS THE SOLE PROPERTY OF <INSERT COMPANY NAME HERE>. ANY REPRODUCTION IN PART OR AS A WHOLE WITHOUT THE WRITTEN PERMISSION OF <INSERT COMPANY NAME HERE> IS PROHIBITED.

		UNLESS OTHERWISE SPECIFIED:		NAME	DATE	<b>TITLE:</b> 110 GALLON LOW PROFILE RECTANGULAR TANK  <b>SIZE DWG. NO.</b> <b>B 110 LPRT</b>  SCALE: 1:12 WEIGHT: SHEET 1 OF 1	
		DIMENSIONS ARE IN INCHES		DRAWN	EBW		1-29-14
		TOLERANCES:		CHECKED			
		FRACTIONAL ±		ENG APPR.			
		ANGULAR: MACH ± BEND ±		MFG APPR.			
		TWO PLACE DECIMAL ±		Q.A.			
		THREE PLACE DECIMAL ±		COMMENTS:			
		INTERPRET GEOMETRIC TOLERANCING PER:					
		MATERIAL					
		FINISH					
NEXT ASSY	USED ON	APPLICATION		DO NOT SCALE DRAWING			

8 7 6 5 4 3 2 1