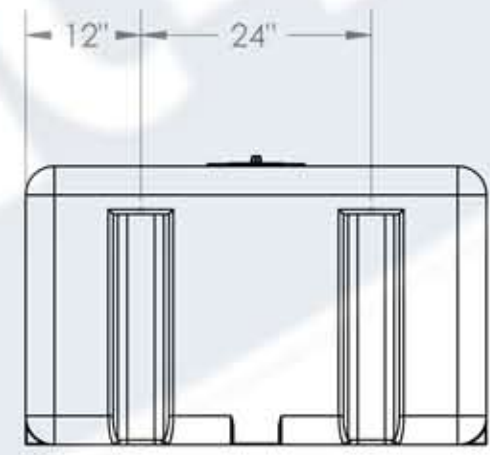


FITTING LOCATIONS  
(4) PLCS.



- NOTES:
1. MATERIAL: POLYETHYLENE
  2. CAPACITY: 200 GALLONS
  3. WEIGHT: 80 LBS

**PROPRIETARY AND CONFIDENTIAL**  
THE INFORMATION CONTAINED IN THIS DRAWING IS THE SOLE PROPERTY OF <INSERT COMPANY NAME HERE>. ANY REPRODUCTION IN PART OR AS A WHOLE WITHOUT THE WRITTEN PERMISSION OF <INSERT COMPANY NAME HERE> IS PROHIBITED.

		UNLESS OTHERWISE SPECIFIED:		NAME	DATE	866-310-2556
		DIMENSIONS ARE IN INCHES TOLERANCES: FRACTIONAL ± ANGULAR: MACH ± BEND ± TWO PLACE DECIMAL ± THREE PLACE DECIMAL ±		DRAWN	EBW	
		INTERPRET GEOMETRIC TOLERANCING PER:		CHECKED		TITLE:
		MATERIAL		ENG APPR.		200 GALLON RECTANGULAR TANK
		FINISH		MFG APPR.		SIZE DWG. NO. REV
NEXT ASSY	USED ON	DO NOT SCALE DRAWING		Q.A.		<b>B</b> 200 RT
APPLICATION				COMMENTS:		SCALE: 1:20 WEIGHT: SHEET 1 OF 1