

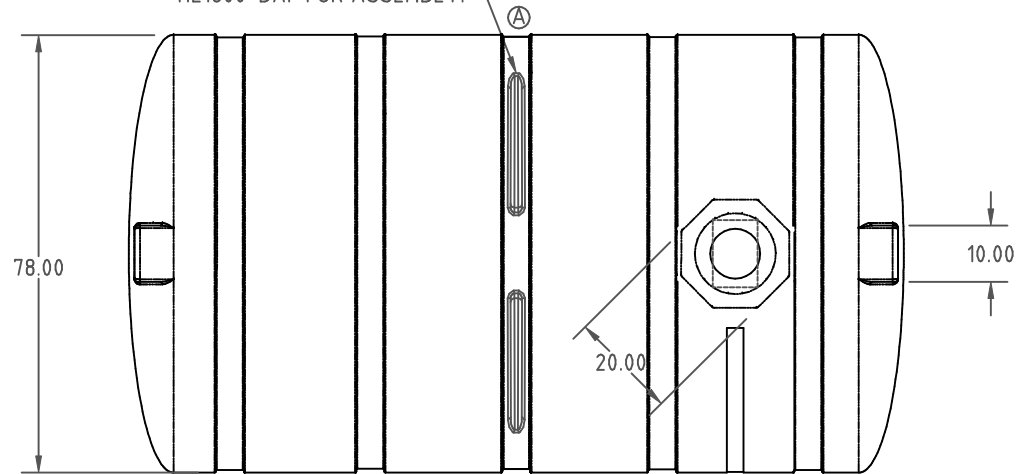
© DEN HARTOG INDUSTRIES, INC.

Copyright. All information furnished within this document, electronic file or design correspondence is the property of Den Hartog Industries, Inc. and shall not be used, disclosed to others or copied without the expressed written consent of Den Hartog Industries, Inc.

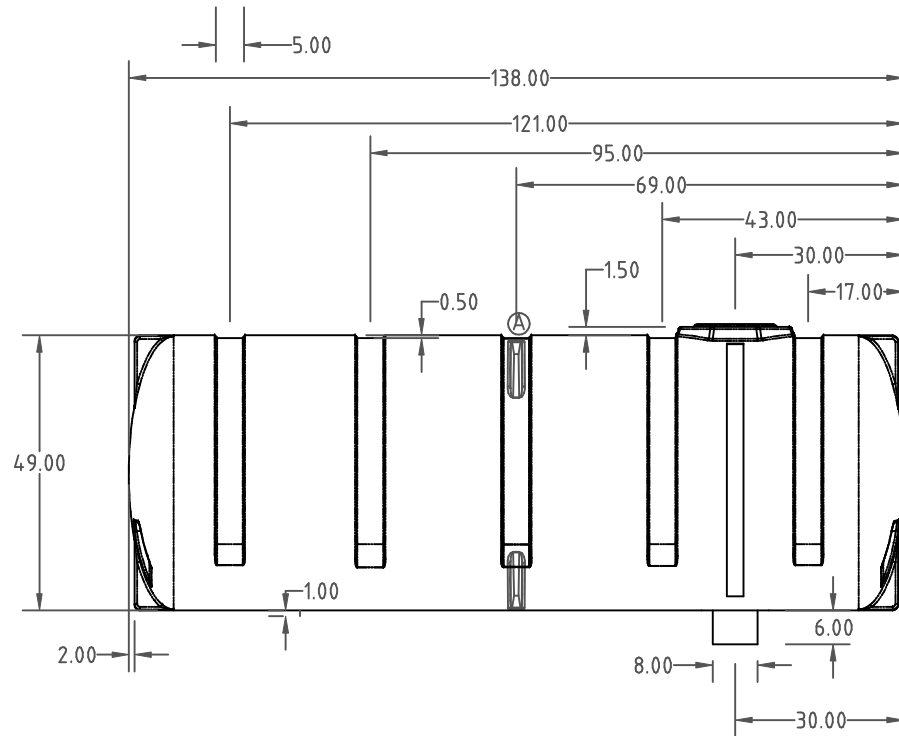
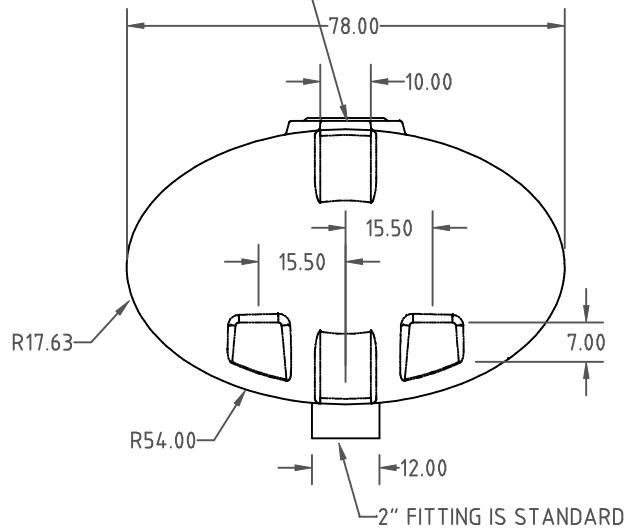
HED1600-78

A

TANK BAFFLES-SEE DRAWING
HE1600-BAF FOR ASSEMBLY.



10528 16" LID AND 10534 LANYARD



DRAWN / DATE
REH/8/16/04

MATERIAL / SHOT WEIGHT

M111	M134	U625	P938
	400		

ACE ROTO-MOLD
A DIVISION OF DEN HARTOG INDUSTRIES, INC.

4010 HOSPERS DRIVE S., BOX 425, HOSPERS, IA, 51238

APPRD. / DATE
DHJ/8/10/07

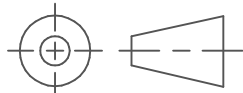
CLIENT / DESCRIPTION

1600 GALLON ELLIPTICAL TANK WITH 6 INCH SUMP

ALL DIMENSIONS ARE IN DECIMAL INCHES
TOLERANCES UNLESS OTHERWISE SPECIFIED

± 1% @ 68° F

THIRD ANGLE PROJECTION
ANSI 14.5M



NOTES:
1. .335 NOMINAL WALL

SCALE
N.S.

PART NO.
HED1600-78