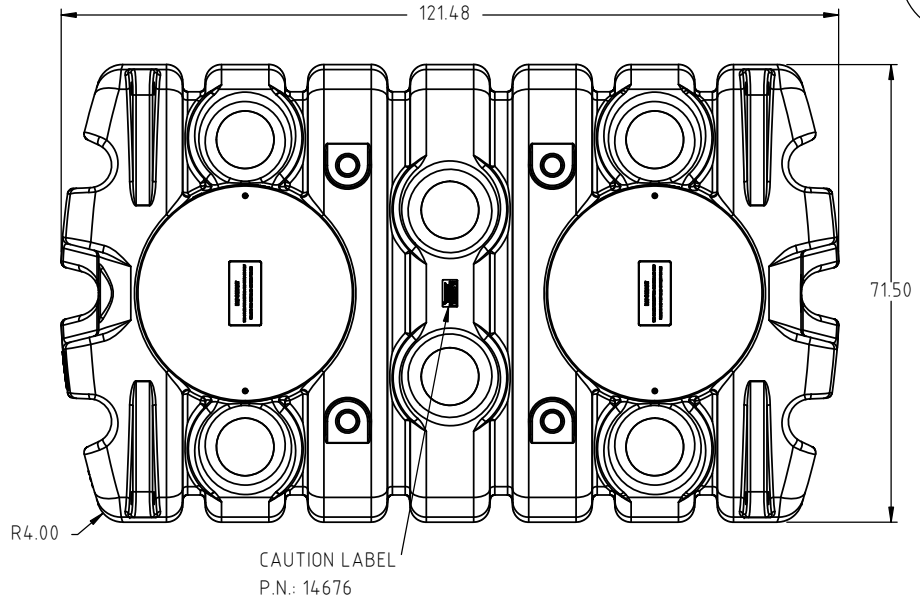


© DEN HARTOG INDUSTRIES, INC.

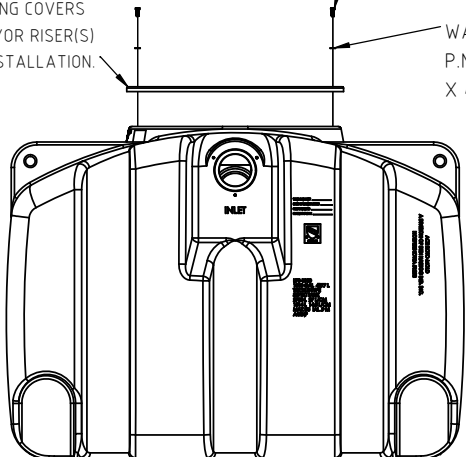
Copyright. All information furnished within this document, electronic file or design correspondence is the property of Den Hartog Industries, Inc. and shall not be used, disclosed to others or copied without the expressed written consent of Den Hartog Industries, Inc.

LPS-1000-1

CAUTION LABEL 14676



STANDARD TANK SENT WITH TWO 19465 SHIPPING COVERS BUT BURIAL LID(S) AND/OR RISER(S) REQUIRED FOR FINAL INSTALLATION.

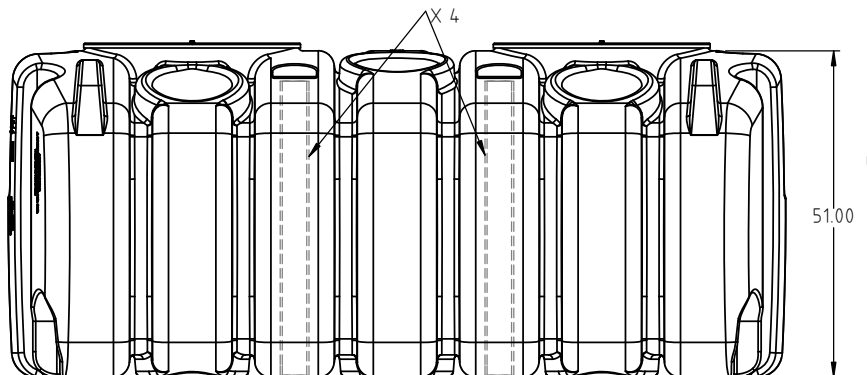


BOLT, 3/8" X 1" HEX GR 5 ZINC
P.N.: 10089
X 4

WASHER, 3/8" FLAT ZINC
P.N.: SJ10937
X 4

INSTALLED 4" PVC SUPPORTS
P.N.: 14682
X 4

INLET SIDE



OUTLET SIDE

				DRAWN / DATE ADH 12/2/16	MATERIAL
A	582.00 LBS WAS 513.00 LBS	ADH 11/8/18	3665	APPRD. / DATE REH 7/19/17	
REV	DESCRIPTION	BY / DATE	CCN		
ALL DIMENSIONS ARE IN DECIMAL INCHES TOLERANCES UNLESS OTHERWISE SPECIFIED		THIRD ANGLE PROJECTION ANSI 14.5M		SHOT WEIGHT:	NOTES:
POLYETHYLENE ±1% @ 68°F		METAL DECIMAL ± .125" FRACTION ± 1/4" ANGLE ± 1°		SHIPPING WEIGHT: 582 LBS	
				FINISH:	



Den Hartog
INDUSTRIES, INC.

Ace Roto-Mold Injection Molding Blow Molding Sowjoy

4010 HOSPERS DRIVE S. BOX 425, HOSPERS, IOWA 51238-0425

DESCRIPTION	1000 GALLON LOW PROFILE SINGLE COMPARTMENT SEPTIC TANK ASSEMBLY AS SHIPPED	
SCALE	N.S.	PART NO. LPS-1000-1