

© DEN HARTOG INDUSTRIES, INC.

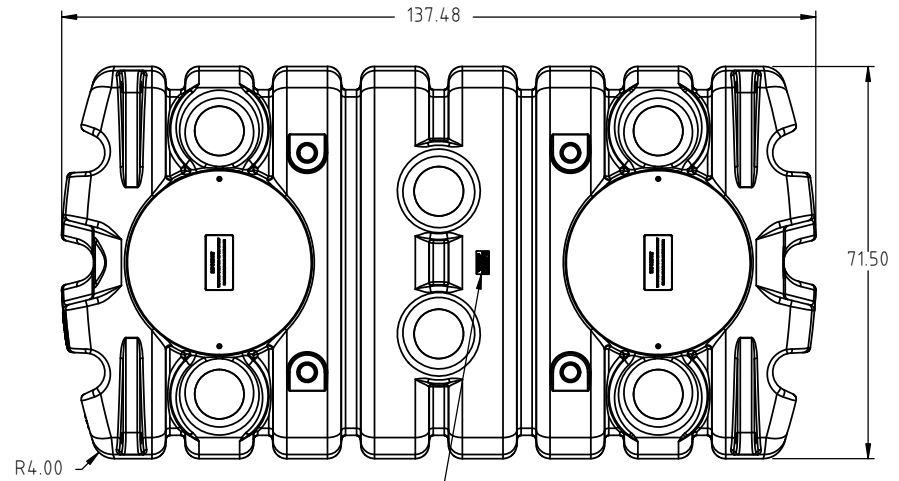
Copyright. All information furnished within this document, electronic file or design correspondence is the property of Den Hartog Industries, Inc. and shall not be used, disclosed to others or copied without the expressed written consent of Den Hartog Industries, Inc.

CAUTION LABEL 14676



LPS-1250-2

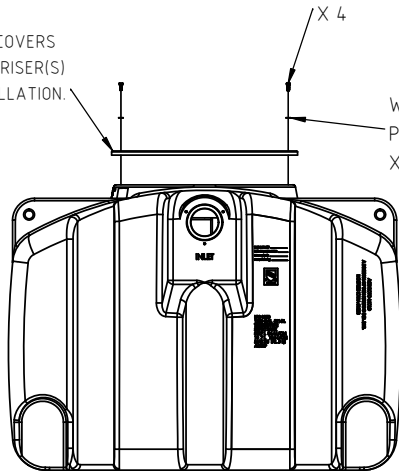
B



CAUTION LABEL
P.N.: 14676

BOLT, 3/8" X 1" HEX GR 5 ZINC
P.N.: 10089

STANDARD TANK SENT WITH TWO 19465 SHIPPING COVERS BUT BURIAL LID(S) AND/OR RISER(S) REQUIRED FOR FINAL INSTALLATION.



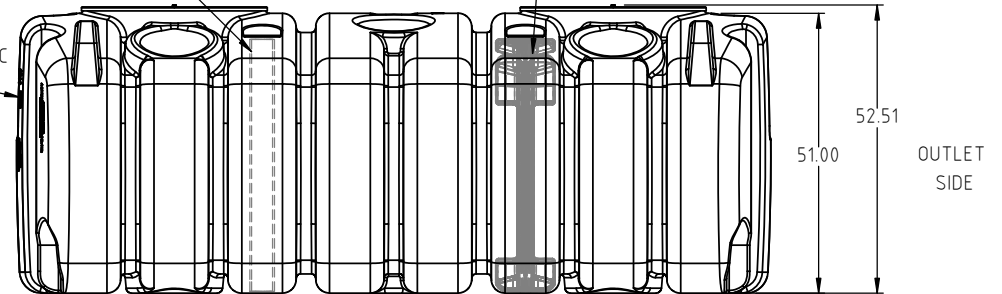
X 4

WASHER, 3/8" FLAT ZINC
P.N.: SJ10937
X 4

INSTALLED 4" PVC SUPPORTS
P.N.: 14682
X 2

INSTALLED DIVIDERS
P.N.: 14615 & 14616
X 2 (EACH)

UPC SYMBOL MOLD ON GRAPHIC
P.N. 11331
A
INLET SIDE



				DRAWN / DATE ADH 12/2/16	MATERIAL
B	658 LBS WAS 608 LBS	ADH 1/8/19	3695	APPRD. / DATE ADH 5/7/18	
A	11331 NOTE ADDED TO THE PRINT.	ADH 5/7/18	3553	REH 9/11/17	
REV	DESCRIPTION	BY / DATE	CCN		
ALL DIMENSIONS ARE IN DECIMAL INCHES TOLERANCES UNLESS OTHERWISE SPECIFIED		THIRD ANGLE PROJECTION ANSI 14.5M		SHOT WEIGHT:	NOTES:
POLYETHYLENE	METAL DECIMAL ± .125" FRACTION ± 1/4" ANGLE ± 1°			SHIPPING WEIGHT: 658 LBS	
±1% @ 68°F				FINISH:	



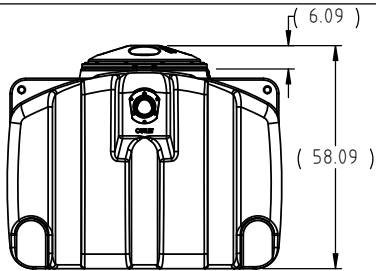
Den Hartog
INDUSTRIES, INC.

Ace Roto-Mold Injection Molding Blow Molding Sowjoy

4010 HOSPERS DRIVE S. BOX 425, HOSPERS, IOWA 51238-0425

DESCRIPTION	1250 GALLON LOW PROFILE TWO COMPARTMENT SEPTIC TANK ASSEMBLY AS SHIPPED	
SCALE	N.S.	PART NO. LPS-1250-2

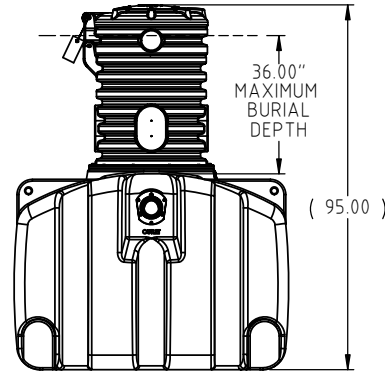
Copyright. All information furnished within this document, electronic file or design correspondence is the property of Den Hartog Industries, Inc. and shall not be used, disclosed to others or copied without the expressed written consent of Den Hartog Industries, Inc.



OPTIONAL
BURIAL LID ASSEMBLY
P.N.= ACT-16053BK
SHOWN

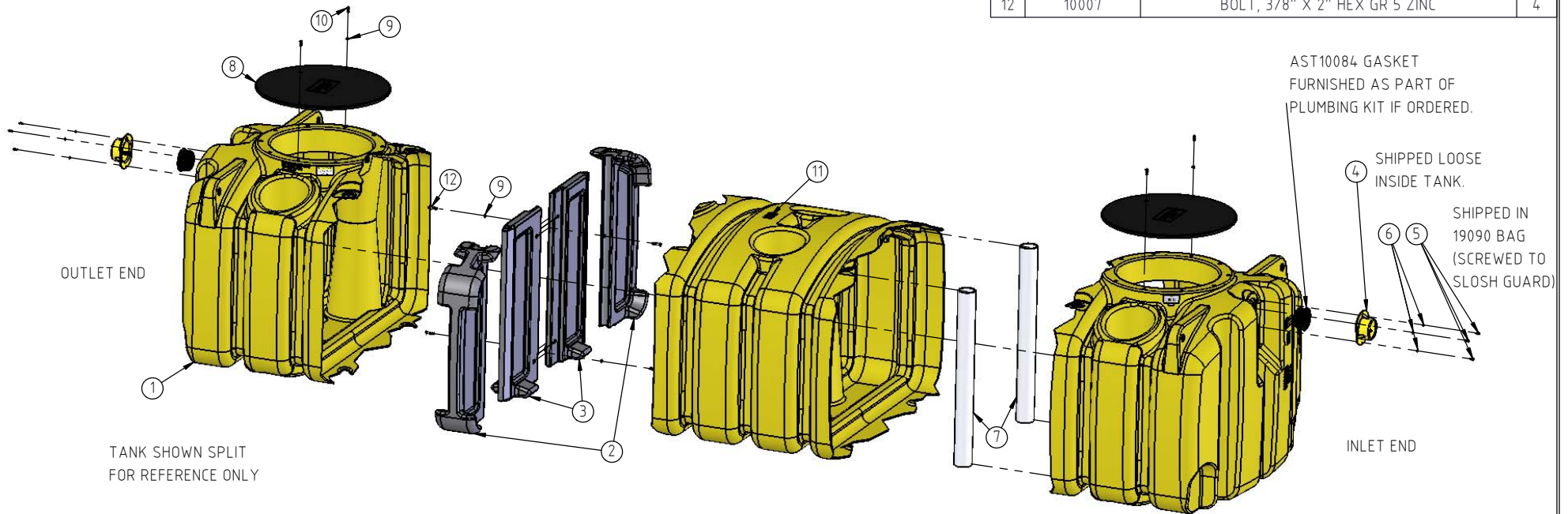
LID/COVER OPTIONS.
(TWO COMPLETE COVERS
REQUIRED FOR INSTALLATION).

- 1.) BURIAL LID ASSEMBLY
P.N.=ACT-16053BK
- 2.) 16" GROUND ACCESS RISER
P.N.=ACT-16054BK
- 3.) 28" GROUND ACCESS RISER
P.N.=ACT-16052BK
- 4.) 7" EXTENSION (REQUIRES RISER)
P.N.=AST19365
- 5.) 16" EXTENSION (REQUIRES RISER)
P.N.=AST19212



OPTIONAL
28" GROUND ACCESS RISER (ACT-16052BK)
AND 7" EXTENSION (AST19365)
SHOWN

KEY	PART NUMBER	DESCRIPTION	QTY.
1	LPS-1250	1250 GAL LOW PROFILE SEPTIC TANK	1
2	14616	OUTER DIVIDER	2
3	14615	INNER DIVIDER	2
4	AST19153	CLAMP, STABILIZER	2
5	10087	BOLT, 1/4" X 3/4" HEX GR5 ZINC	6
6	10626	WASHER, 1/4" FLAT ZINC	6
7	14682	PIPE, 4" SEPTIC/CISTERN SUPPORT PVC	2
8	19465	ACT, CISTERN SHIPPING COVER	2
9	SJ10937	WASHER, 3/8" FLAT ZINC	8
10	10089	BOLT, 3/8" X 1" HEX GR 5 ZINC	4
11	14676	LABEL, CAUTION SEPTIC	1
12	10007	BOLT, 3/8" X 2" HEX GR 5 ZINC	4



REV	DESCRIPTION	BY / DATE	CCN	DRAWN / DATE ADH 12/15/16	MATERIAL
				APPRD. / DATE REH 9/11/17	
ALL DIMENSIONS ARE IN DECIMAL INCHES TOLERANCES UNLESS OTHERWISE SPECIFIED		THIRD ANGLE PROJECTION ANSI 14.5M		SHOT WEIGHT:	NOTES:
POLYETHYLENE		METAL DECIMAL ± .125" FRACTION ± 1/4" ANGLE ± 1°		SHIPPING WEIGHT:	
±1% @ 68°F				FINISH:	



Den Hartog
INDUSTRIES, INC.

Ace Roto-Mold Injection Molding Blow Molding Sowjoy

4010 HOSPERS DRIVE S. BOX 425, HOSPERS, IOWA 51238-0425

DESCRIPTION	1250 GALLON LOW PROFILE TWO COMPARTMENT SEPTIC TANK ASSEMBLY	
SCALE	N.S.	PART NO. LPS-1250-2