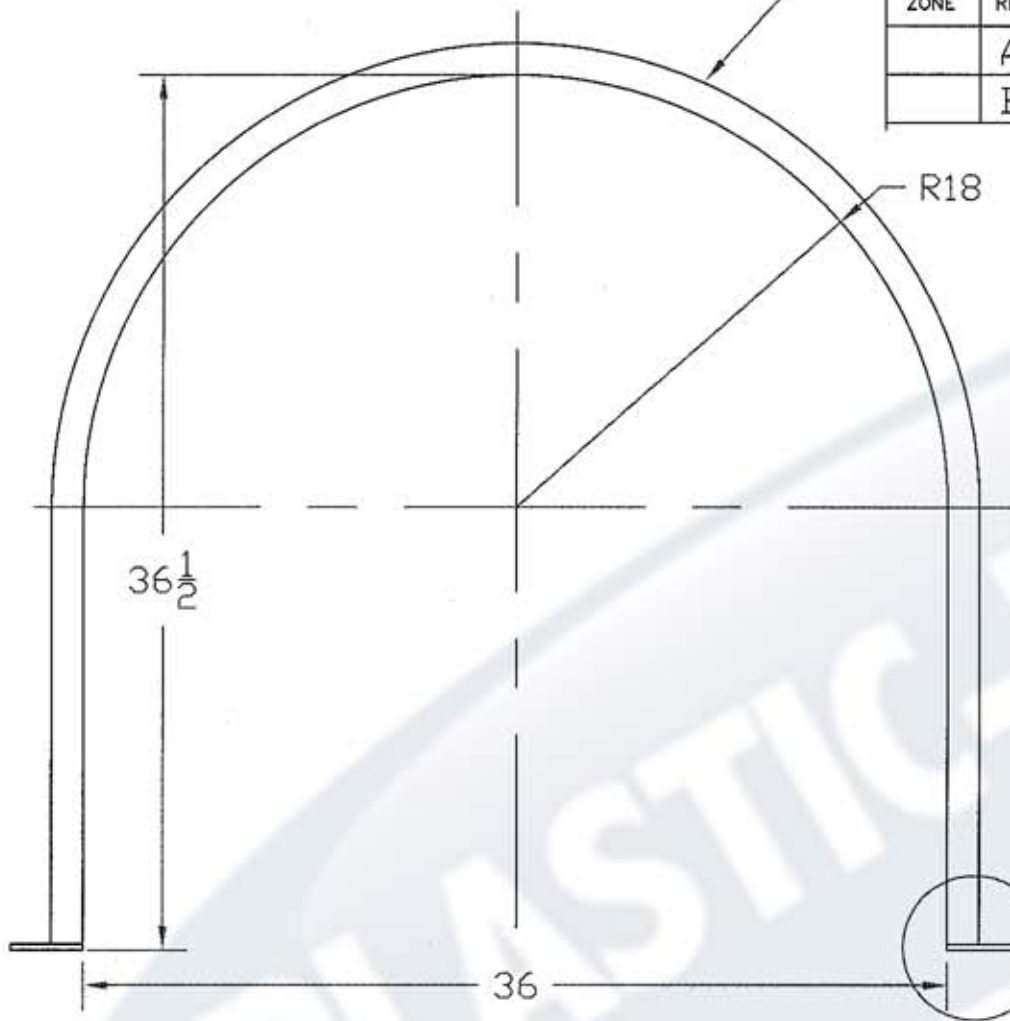
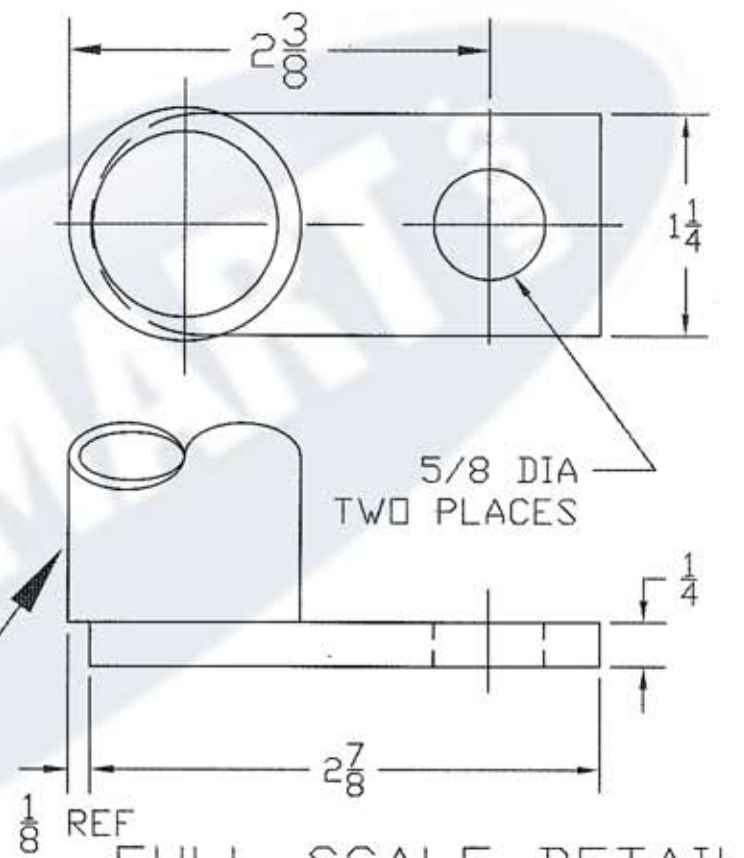


1" PIPE (1.31" OD) W/ .120" WALL



REVISIONS				
ZONE	REV	DESCRIPTION	DATE	APPROVED
	A	REDRAWN	10SEP97	
	B	REVISED & REDRAWN	14JAN04	



FULL SCALE DETAIL

NOTE: WELD WITH LOW HYDROGEN ROD

FINISH: HOT DIPPED GALVANIZED

THIS DRAWING MODIFIED WITH
NARROWER FOOT.

PLASTIC-MART 866-310-2556

BAND, 225 & 325 GALLON
HORIZONTAL TANKS

JTP 14JAN04

SIZE A	FSCM NO.	DWG NO.	REV B
SCALE 1/8		SHEET	