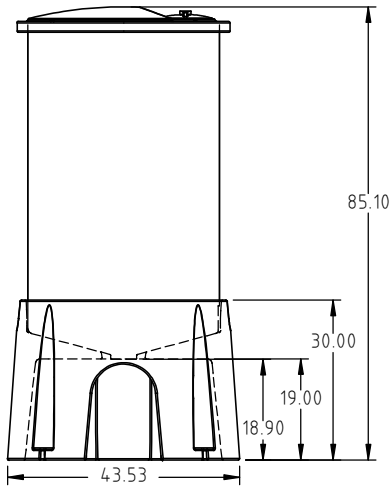
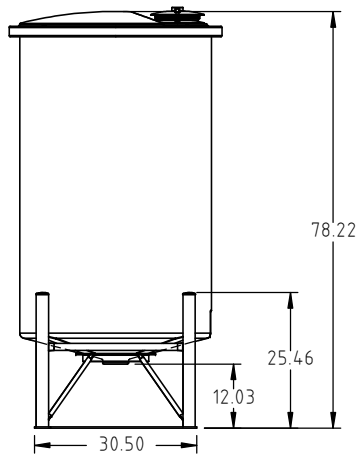


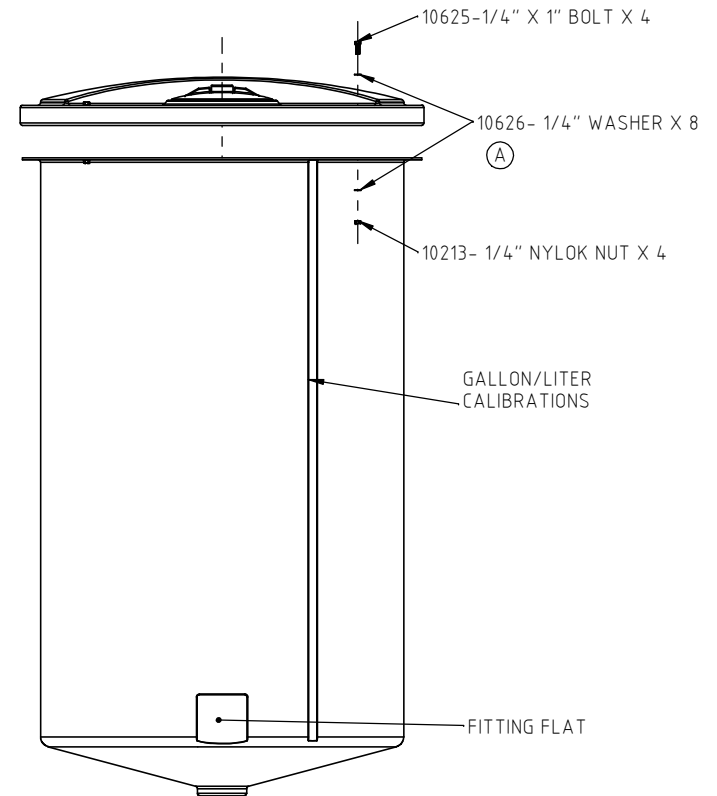
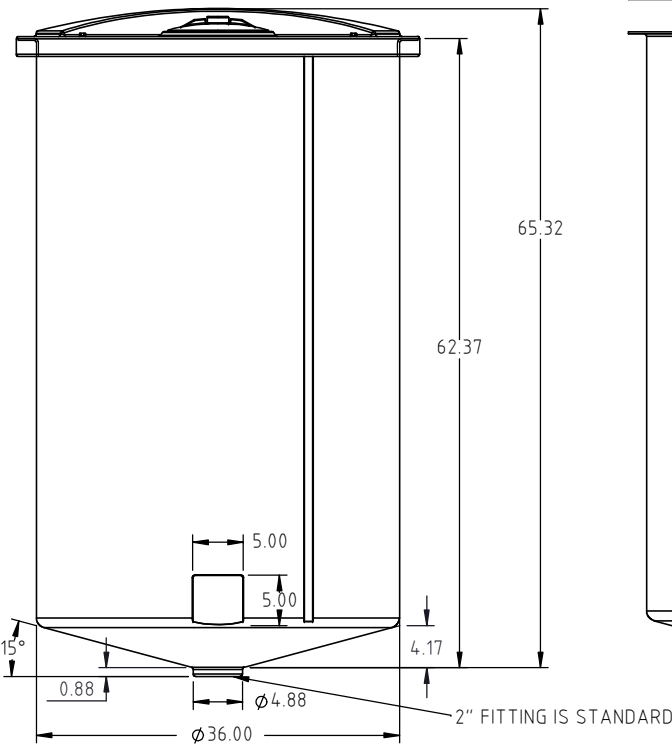
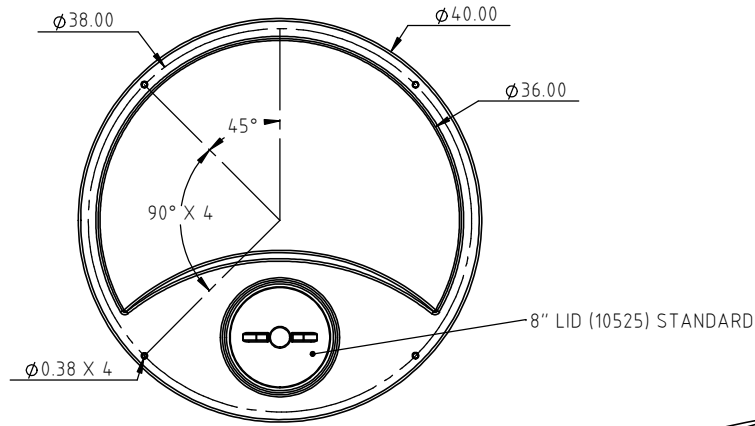
Copyright. All information furnished within this document, electronic file or design correspondence is the property of Den Hartog industries, Inc. and shall not be used, disclosed to others or copied without the expressed written consent of Den Hartog Industries, Inc.



OC036-STP POLY STAND



CB036-15ST METAL STAND



| | | | | | |
|---|-------------------|---|------|-------------------------------|-----------------------------------|
| | | | | DRAWN / DATE ADH 2/11/11 | MATERIAL 10420 |
| A | 10626 WAS SJ10067 | ADH 10/26/11 | 2311 | APPRD. / DATE REH 4/18/11 | |
| REV | DESCRIPTION | BY / DATE | CCN | | |
| ALL DIMENSIONS ARE IN DECIMAL INCHES TOLERANCES UNLESS OTHERWISE SPECIFIED | | THIRD ANGLE PROJECTION ANSI 14.5M | | SHOT WEIGHT: 74.00 LBS | NOTES: 1.) 0.22 WALL THICKNESS |
| POLYETHYLENE | | METAL DECIMAL ± .125" FRACTION ± 1/4" ANGLE ± 1° | | SHIPPING WEIGHT: 76.00 LBS | |
| ±1% @ 68°F | | | | FINISH: | |



Den Hartog
INDUSTRIES, INC.

Acro Roto-Mold Injection Molding Blow Molding Sowjoy

4010 HOSPERS DRIVE S. BOX 425, HOSPERS, IOWA 51238-0425

DESCRIPTION 36" DIA. X 250 GALLON CONE BOTTOM- OPEN TOP

SCALE N.S.

PART NO. OC0250-36