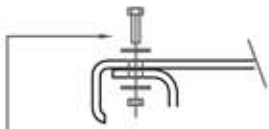
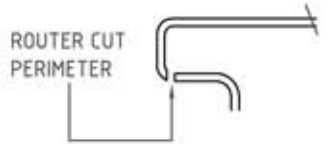
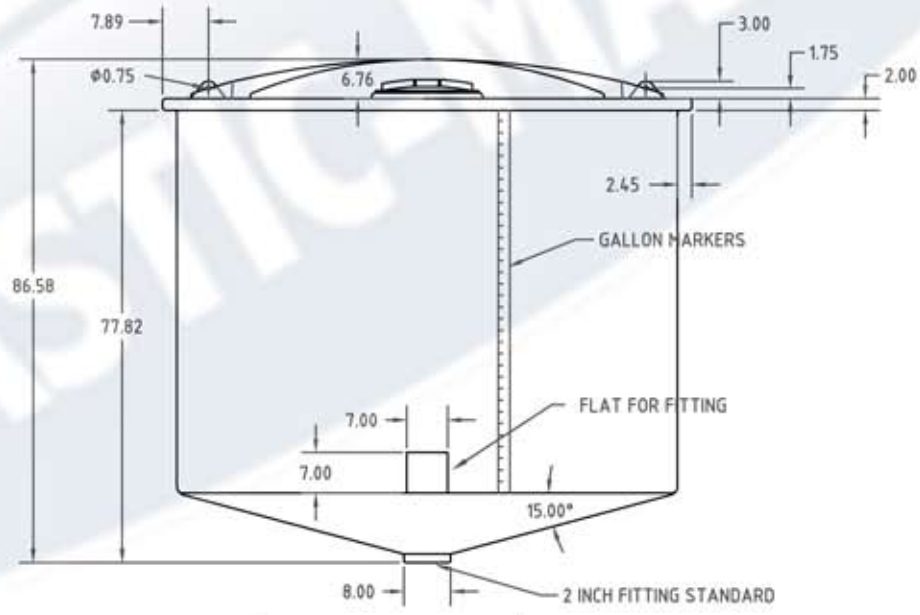
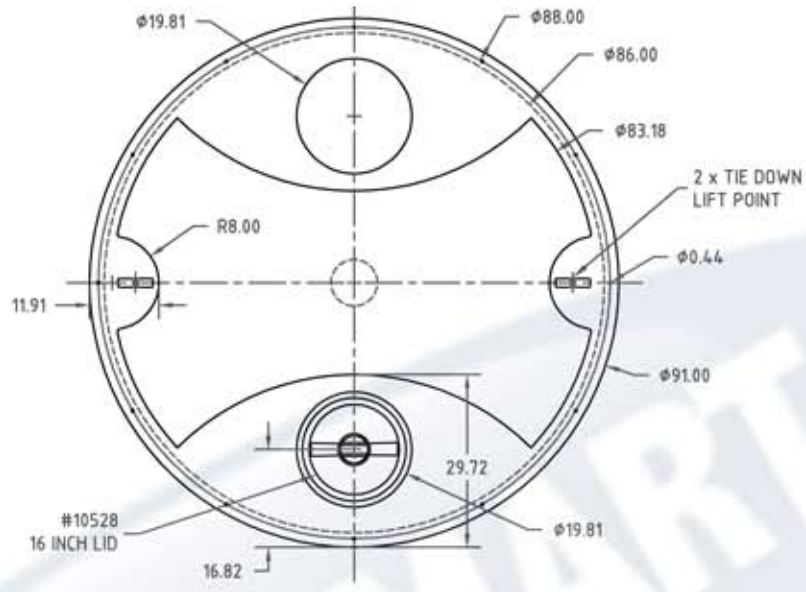


**LID TRIM AND FASTENING DETAIL**



3/8" X 1-1/2" HEX BOLT, 3/8" FLATWASHERS AND HEX NUT 12 PLACES



DRAWN / DATE DHJ 4/27/11		MATERIAL 10420	
APPRD. / DATE REH 5/10/11		NOTES: 1. .290 THICK AT BOTTOM SIDE WALL	
REV	DESCRIPTION	BY / DATE	CCN
ALL DIMENSIONS ARE IN DECIMAL INCHES TOLERANCES UNLESS OTHERWISE SPECIFIED			
POLYETHYLENE		METAL DECIMAL $\pm .125^\circ$ FRACTION $\pm 1/4^\circ$ ANGLE $\pm 1^\circ$	
THIRD ANGLE PROJECTION ANSI 14.5M		SHOT WEIGHT: 284 LBS.	
		SHIPPING WEIGHT: 286 LBS.	
		FINISH:	



**866-310-2556**

DESCRIPTION 1710 GALLON CONE BOTTOM OPEN TOP TANK	
SCALE N.S.	PART NO. OC1710-86