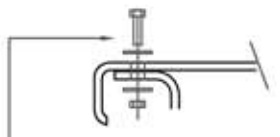
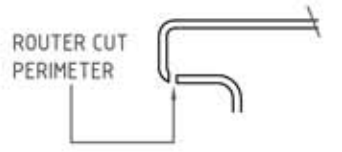
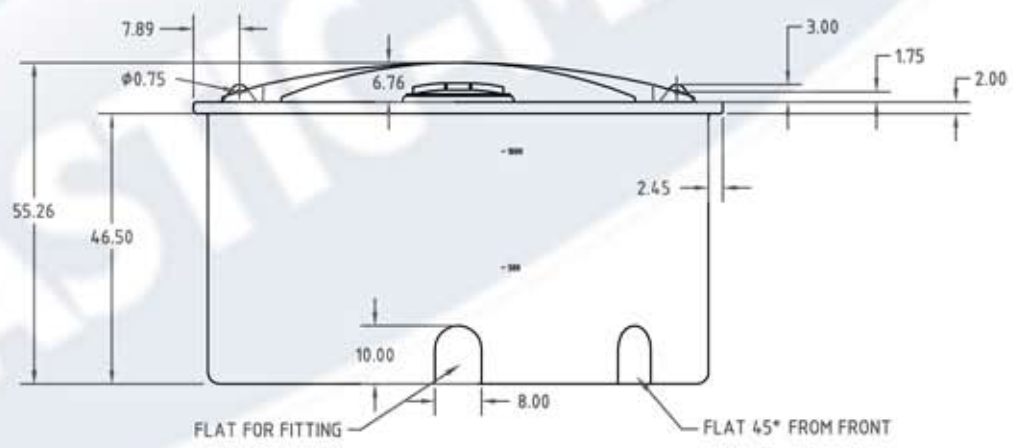
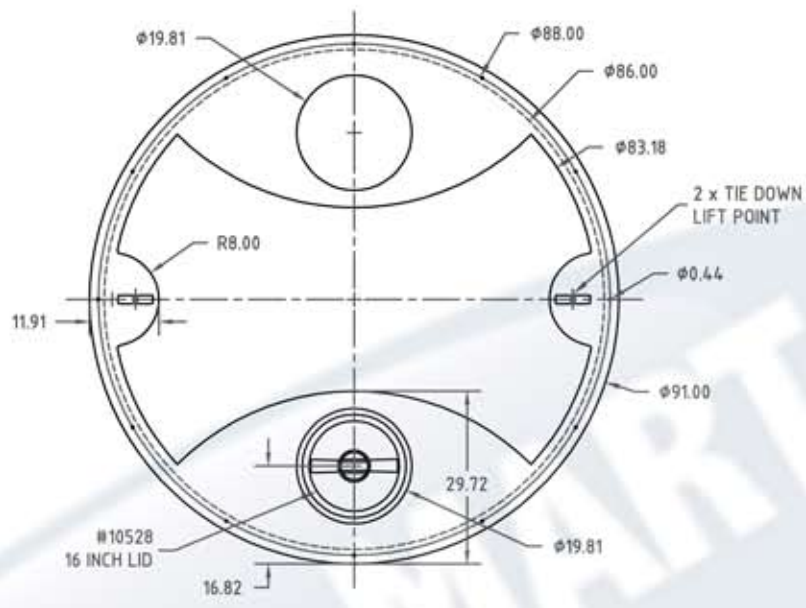


LID TRIM AND FASTENING DETAIL



3/8" X 1-1/2" HEX BOLT, 3/8" FLATWASHERS AND HEX NUT 12 PLACES



REV	DESCRIPTION	BY / DATE	CCN
ALL DIMENSIONS ARE IN DECIMAL INCHES TOLERANCES UNLESS OTHERWISE SPECIFIED			
POLYETHYLENE		METAL DECIMAL $\pm .125$ " FRACTION $\pm 1/4$ " ANGLE $\pm 1^\circ$	

DRAWN / DATE DHJ 4/27/11	MATERIAL 10420
APPRD. / DATE REH 5/10/11	
SHOT WEIGHT: 190 LBS.	NOTES: 1. .200 THICK AT FITTING
SHIPPING WEIGHT: 192 LBS.	
FINISH:	

866-310-2556

DESCRIPTION	1060 GALLON OPEN TOP TANK	
SCALE	N.S.	PART NO. OP1060-86

