

PROPRIETARY DATA

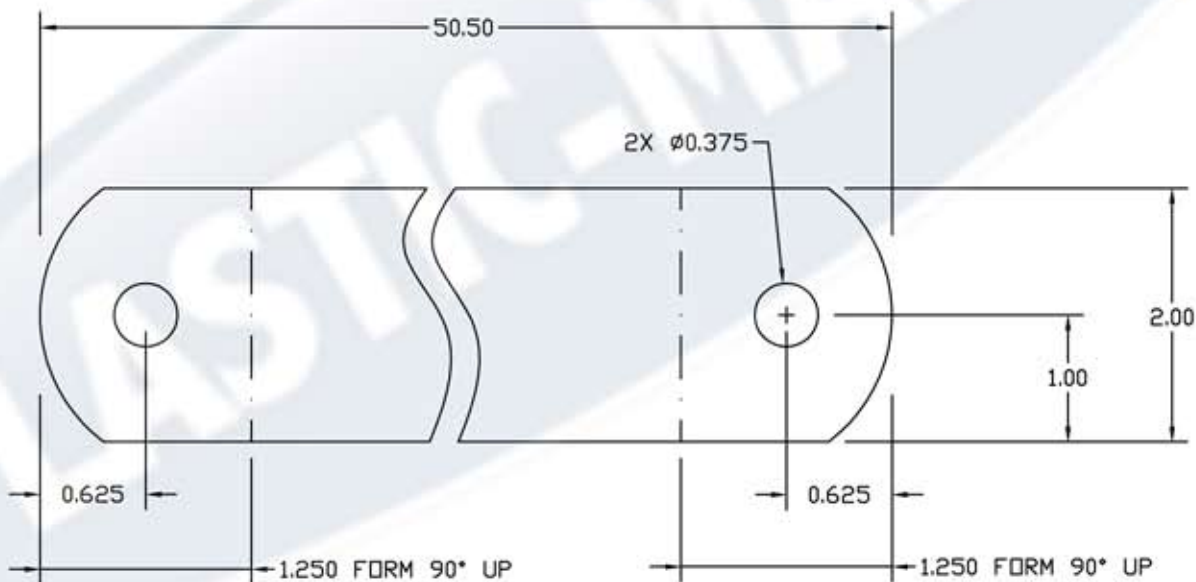
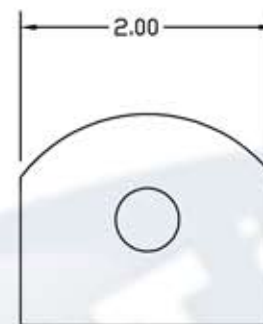
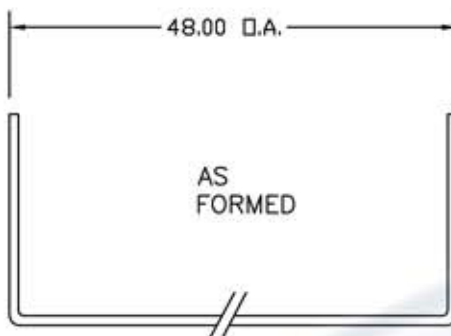
PC0035-SBS

C

PROPERTY OF ACE ROTO-MOLD MFG., INC. INFORMATION FURNISHED HEREIN IS THE PROPERTY OF ACE ROTO-MOLD MFG., INC. AND SHALL NOT BE USED, DISCLOSED TO OTHERS, OR COPIED WITHOUT THE EXPRESSED WRITTEN CONSENT OF ACE ROTO-MOLD MFG., INC. ALL RIGHTS RESERVED.

PC0035-SB | 2 PER SET

Ⓢ



C	ADD TEXT BOX/ADD S TO PART #	4/3/07	GWC	DRAWN / DATE	MATERIAL
B	TOLERANCE WAS 1% @ 68° F	3/13/07	GWC	NVE 2/28/06	
A	DRAWING CLARIFICATION	3/16/06		APPRD. / DATE	18 GA STAINLESS STEEL
REV	DESCRIPTION	DATE	APPRD		
ALL DIMENSIONS ARE IN DECIMAL INCHES TOLERANCES UNLESS OTHERWISE SPECIFIED DECIMAL +/- .064" FRACTION +/- 1/8" ANGLE +/- 1°				THIRD ANGLE PROJECTION ANSI 14.5M 	NOTES: WEIGHT = 1-1/2 LB.

PLASTIC-MART 866-310-2556

CLIENT / DESCRIPTION: STAINLESS STEEL BAND FOR 35 GALLON PCO TANK

SCALE: N.S. PART NO. PC0035-SBS