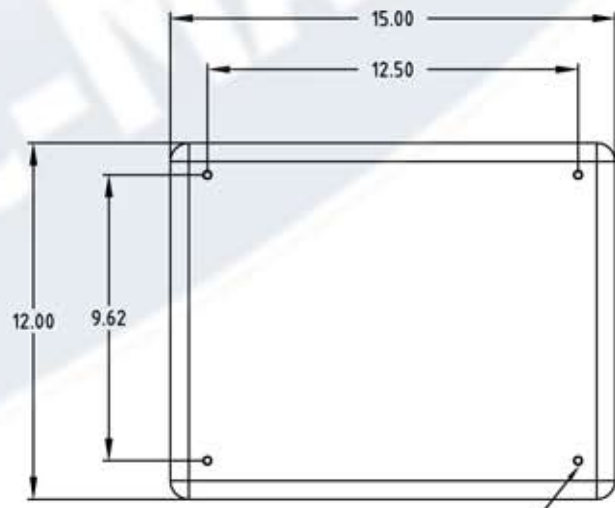
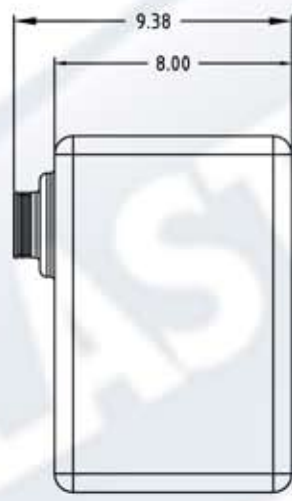
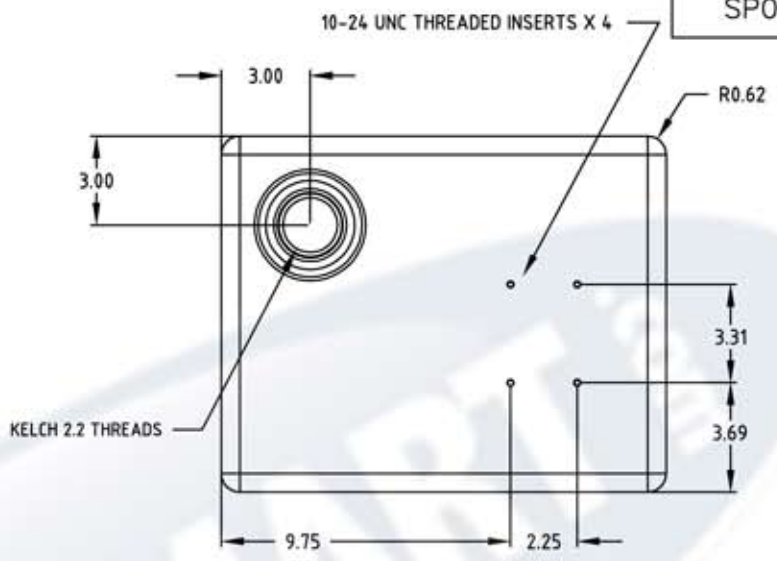
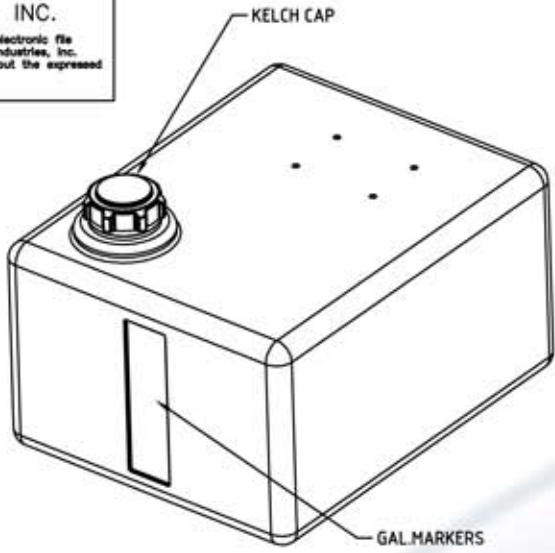


© DEN HARTOG INDUSTRIES, INC.

Copyright. All information furnished within this document, electronic file or design correspondence is the property of Den Hartog Industries, Inc. and shall not be used, disclosed to others or copied without the expressed written consent of Den Hartog Industries, Inc.



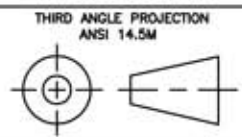
.250-20 UNC X .50 DEEP THREADED INSERTS X 4

		DRAWN / DATE		MATERIAL	
		DHJ / 8/19/99		5 LB. MOBIL 134	
A	SHOT WEIGHT CORRECTED	CCN 1801	2/16/09	ADH	APPRD. / DATE
REV	DESCRIPTION	DATE	APPRD.	REH	8/19/99



866-310-2556

ALL DIMENSIONS ARE IN DECIMAL INCHES
TOLERANCES UNLESS OTHERWISE SPECIFIED
± 1% @ 68° F



NOTES:
1. NATURAL COLOR
2. NOM. WALL .150

CLIENT / DESCRIPTION		6 GAL. SPRAYER TANK	
SCALE	N.S.	PART NO.	SP0006-2P