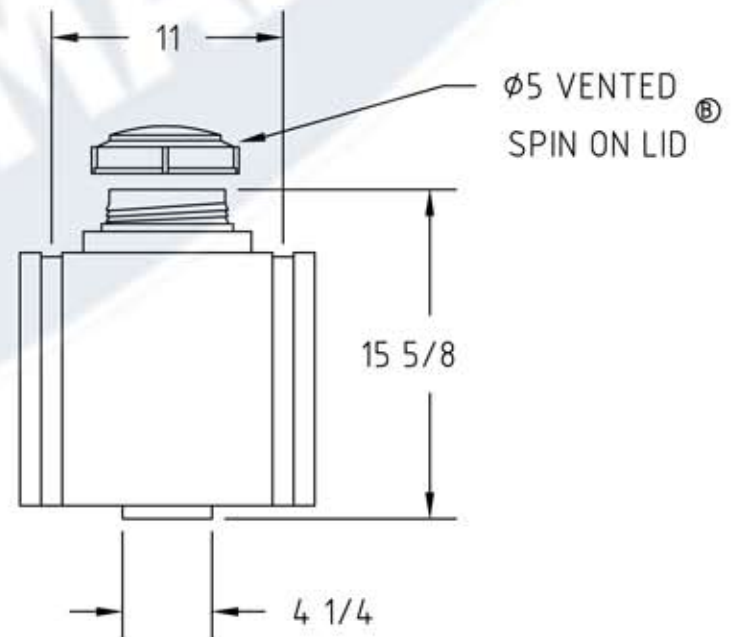
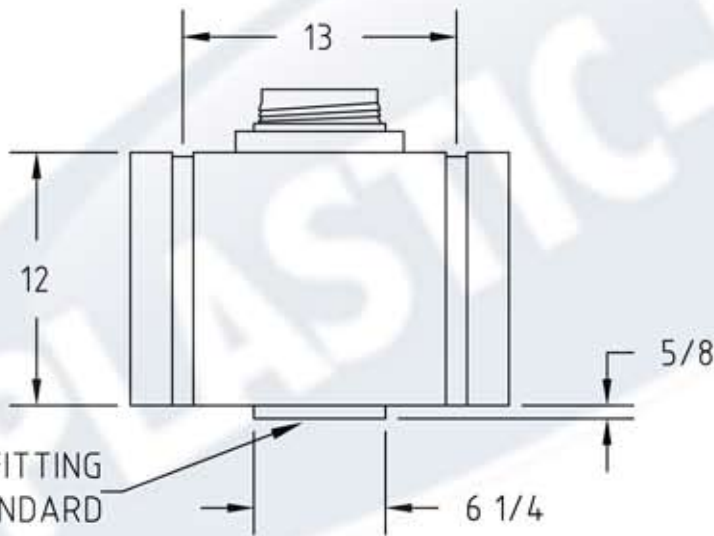
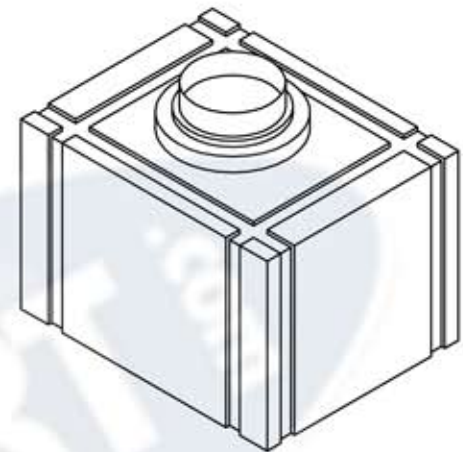
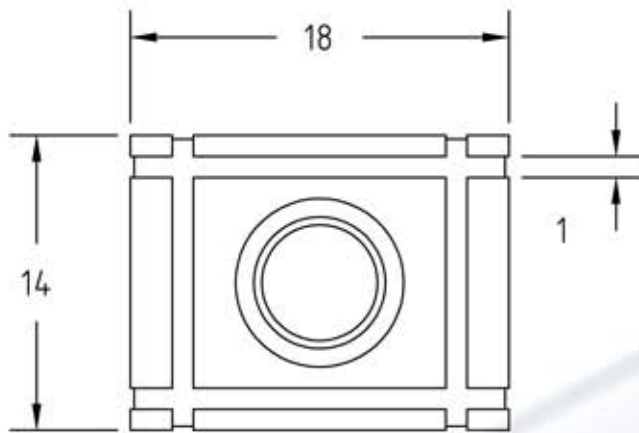


© DEN HARTOG INDUSTRIES, INC.

Copyright. All information furnished within this document, electronic file or design correspondence is the property of Den Hartog Industries, Inc. and shall not be used, disclosed to others or copied without the expressed written consent of Den Hartog Industries, Inc.



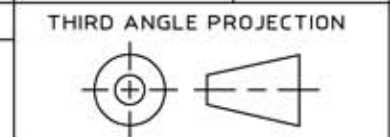
| | | |
|-----|--|------------|
| B | TOLERANCE, WEIGHT, ADDRESS, LID SIZE UPDATED CCH 1852 | 5/5/09 ADH |
| A | ADDED FITTING 12/8/04 | |
| REV | DESCRIPTION | DATE APVD |

| | | | |
|----------|------|------|----------|
| DRAWN | DEAN | DATE | 2-17-94 |
| APPROVED | ADH | DATE | 11-15-07 |

| | |
|-------------|------------------------------|
| MATERIAL | HIGH DENSITY POLYETHYLENE |
| PART WEIGHT | 9 LBS. ® |

PLASTIC-MART 866-310-2556

SCALE NONE
 UOS DIMENSIONS ARE IN INCHES
 GENERAL TOLERANCES
 ±1% @ 68°F ®



| | |
|----------|-------------------|
| PART NO. | SP0012-RT |
| SIZE A | DWG NO. SP0012-RT |
| | REV B |