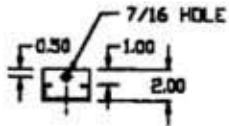
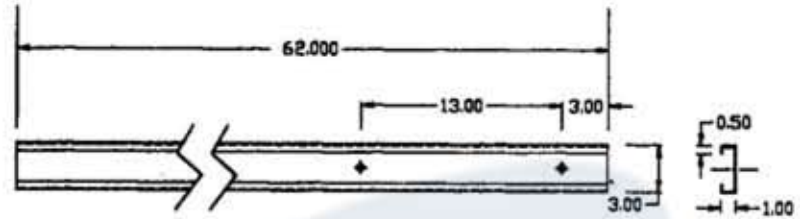


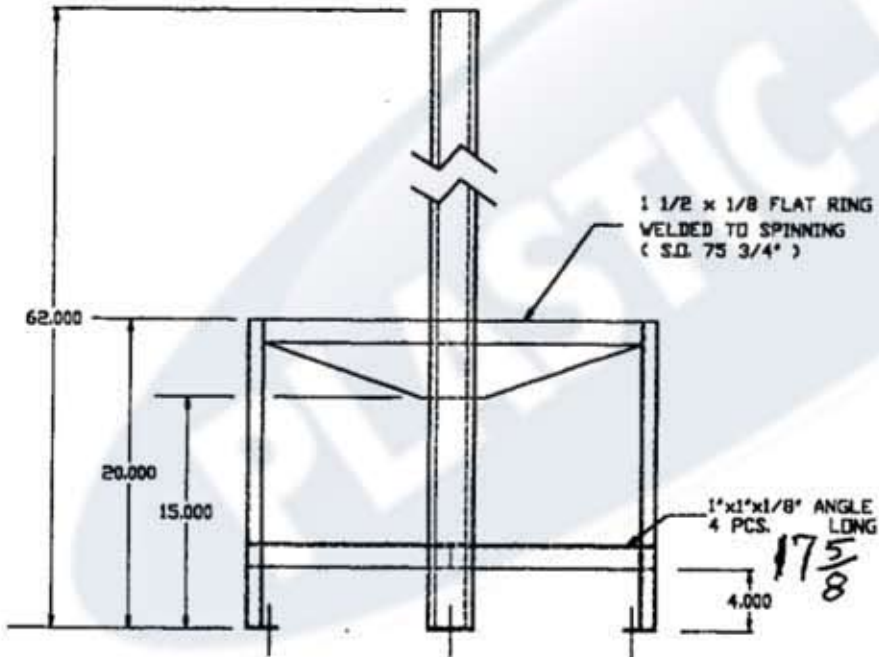
7/16 AGITATOR HOLES
(2 PLACES)



TYPICAL LEG DETAIL
12 GA. CRS 5 3/16"x 21 13/16"
4 PCS REQ. 1 WITH AGITATOR HOLES
3 WITHOUT AGITATOR HOLES.



AGITATOR
12 GA. CRS 5 3/16"x 62"
FORM SIDES SAME AS LEG DETAIL

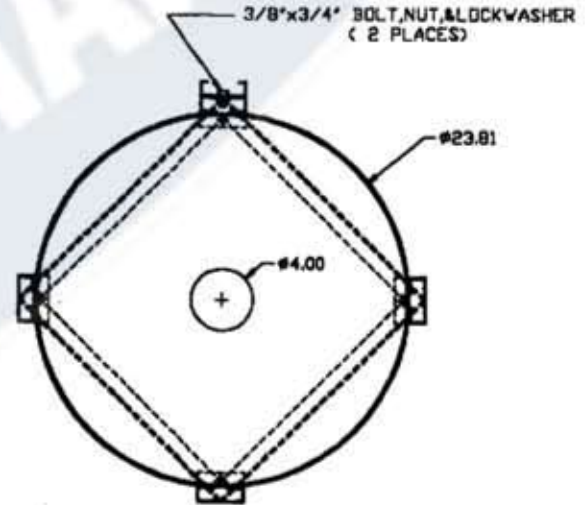


1 1/2 x 1/8 FLAT RING
WELDED TO SPINNING
(S.D. 75 3/4')

1' x 1' x 1/8' ANGLE
4 PCS. LONG

4.000

17 5/8



3/8"x3/4" BOLT,NUT,&LOCKWASHER
(2 PLACES)

#23.81

4.00

Rev. 2	Date 01/14/03	File Name
Rev. 1	Date 7/09/01	File Name

PLASTIC-MART

Date 06/25/01 Scale NONE

Drawn By JIM B. Curt. Rep.

866-310-2556

TITLE 2236 CK-CM STAND	
Part #	Dep. # 2236CKCM