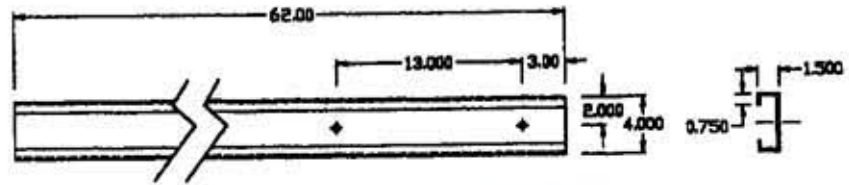
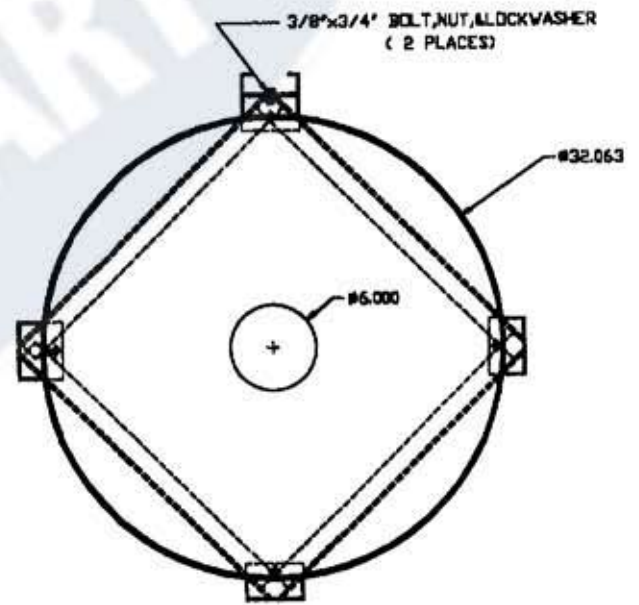
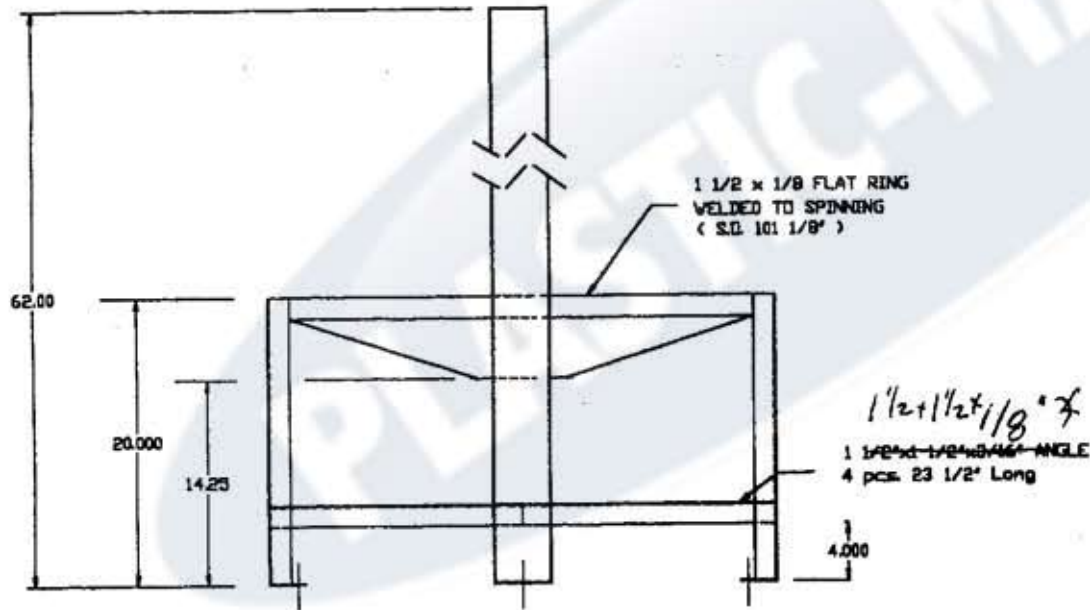


TYPICAL LEG DETAIL
 7 GA. S/S 6 1/4" x 22 1/8"
 4 PCS REQ. 1 WITH AGITATOR HOLES
 3 WITHOUT AGITATOR HOLES.



AGITATOR
 7 GA. S/S 7" x 62"



Rev. 3	Date 01/14/03	File Name
		File Name
		Date 06/25/01
866-310-2556		Scale NONE
		Drawn By JIM B.
		Cont. Rep.
TITLE 3036-3024CKCM STANDS		
Part # TC 3036CKCM/TC 3024CKCM		