

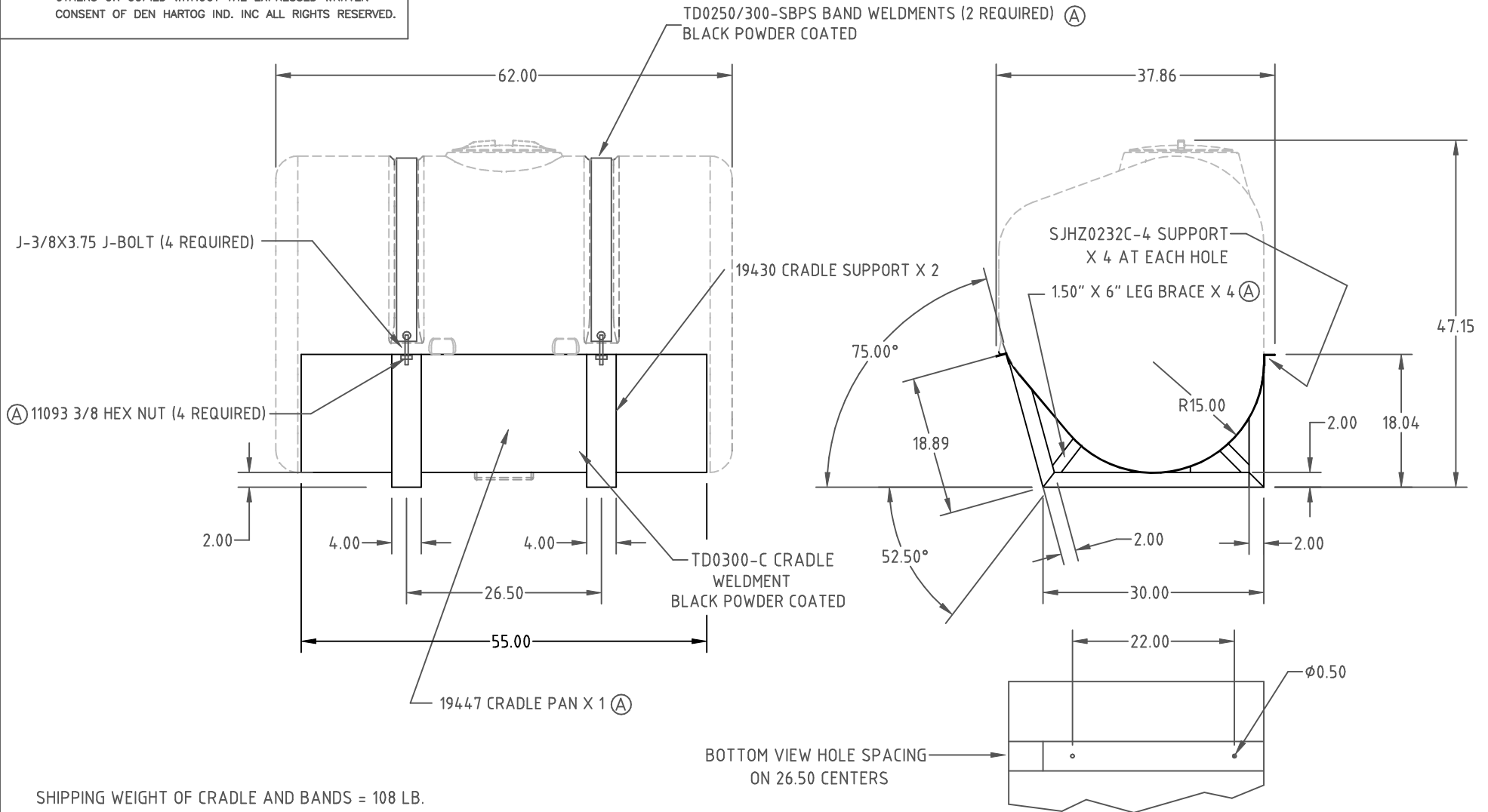
PROPRIETARY DATA

PROPERTY OF DEN HARTOG IND. INC. INFORMATION FURNISHED HEREIN IS THE PROPERTY OF DEN HARTOG IND. INC. AND SHALL NOT BE USED DISCLOSED TO OTHERS OR COPIED WITHOUT THE EXPRESSED WRITTEN CONSENT OF DEN HARTOG IND. INC ALL RIGHTS RESERVED.


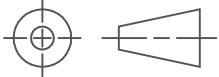
Ⓐ

TD0300-C

Ⓐ



SHIPPING WEIGHT OF CRADLE AND BANDS = 108 LB.

		DRAWN / DATE REH/4/6/06	MATERIAL / SHOT WEIGHT	 <p>Ace Roto-Mold A DIVISION OF DEN HARTOG INDUSTRIES, INC. 4010 HOSPERS DRIVE S. BOX 425, HOSPERS, IOWA 51238-0421</p>
A	11093 WAS SJ11093, 19447 WAS 19432, BAND NOTE	ADH 5/29/09		
CORRECTED, P.N. UPDATED, LEG BRACE P.N. REMOVED CCN 1868		APPRD. / DATE REH/4/6/06	CLIENT / DESCRIPTION	
REV	DESCRIPTION	DATE APPRD.	300 GALLON TEAR DROP TANK CRADLE AND BANDS	
ALL DIMENSIONS ARE IN DECIMAL INCHES TOLERANCES UNLESS OTHERWISE SPECIFIED 0.00 ± 0.06		THIRD ANGLE PROJECTION ANSI 14.5M 	NOTES:	
			SCALE NONE	PART NO. Ⓐ TD0300-C