

4

3

2

1

D

D

C

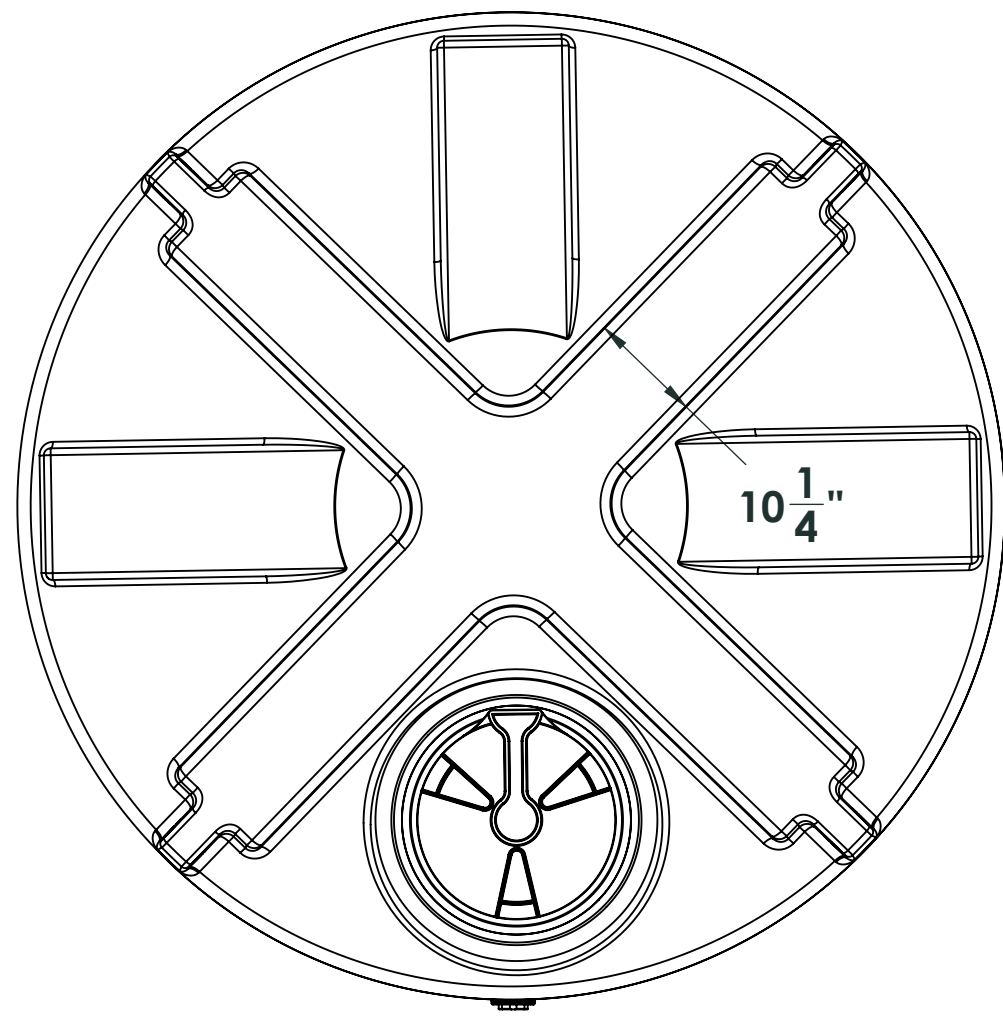
C

B

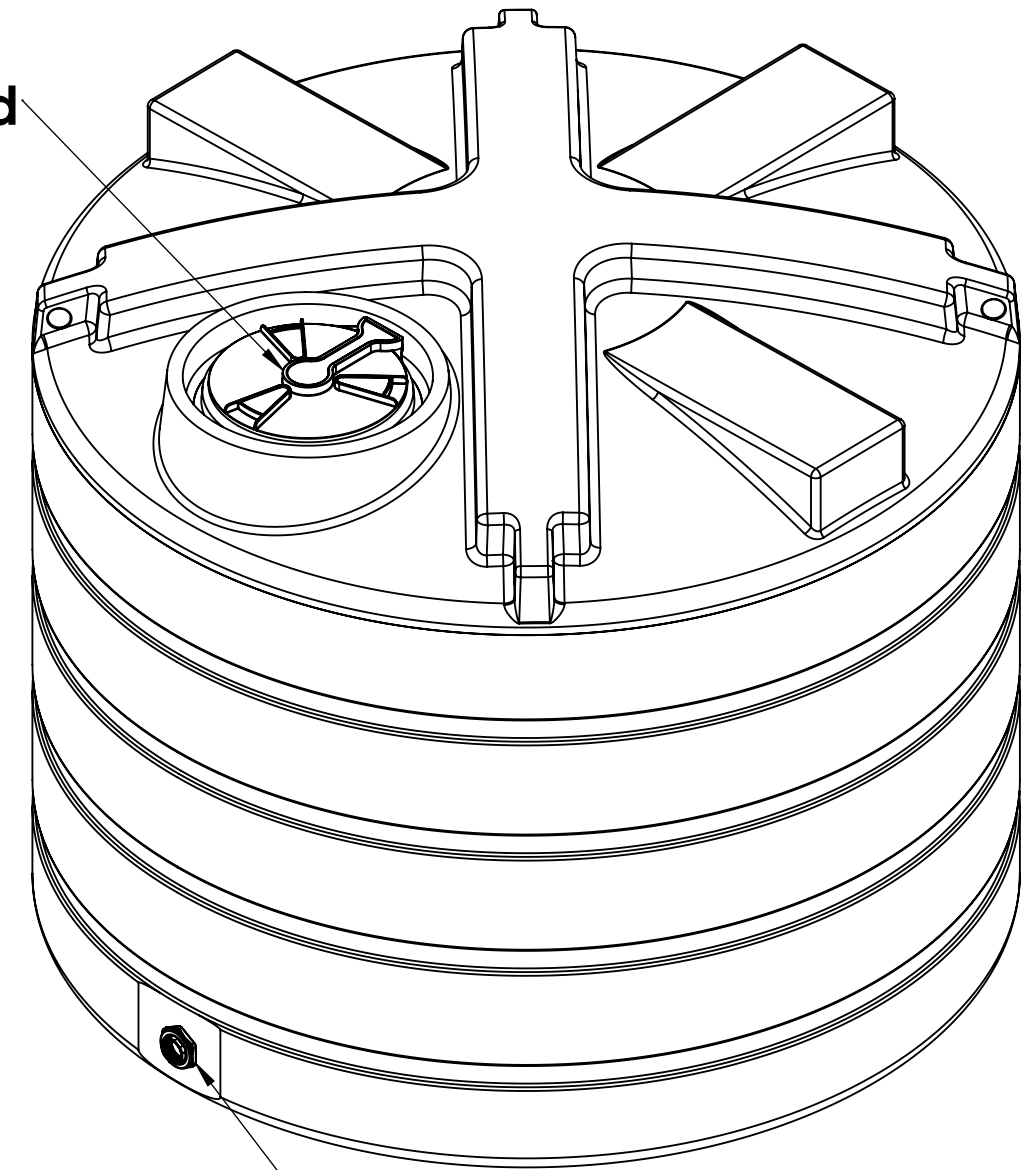
B

A

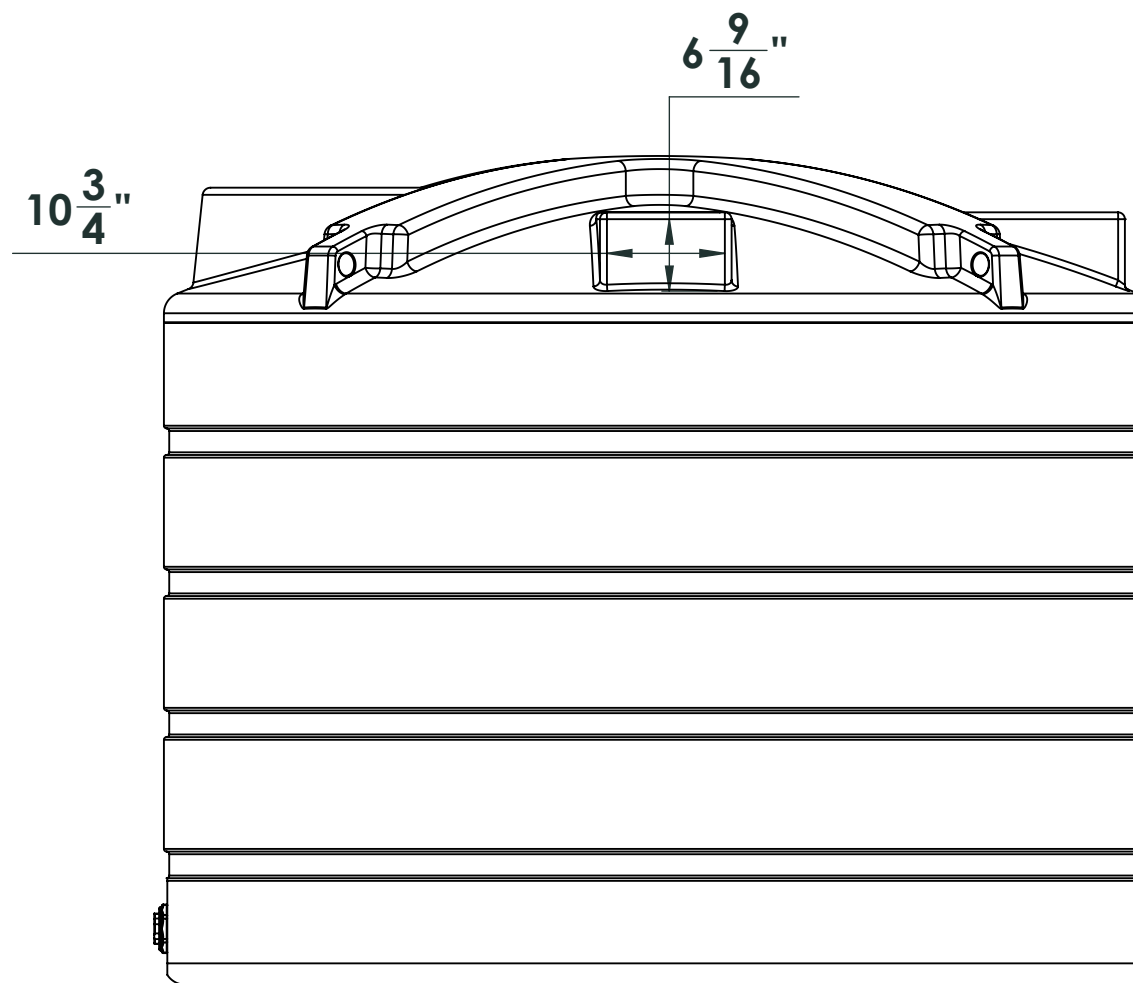
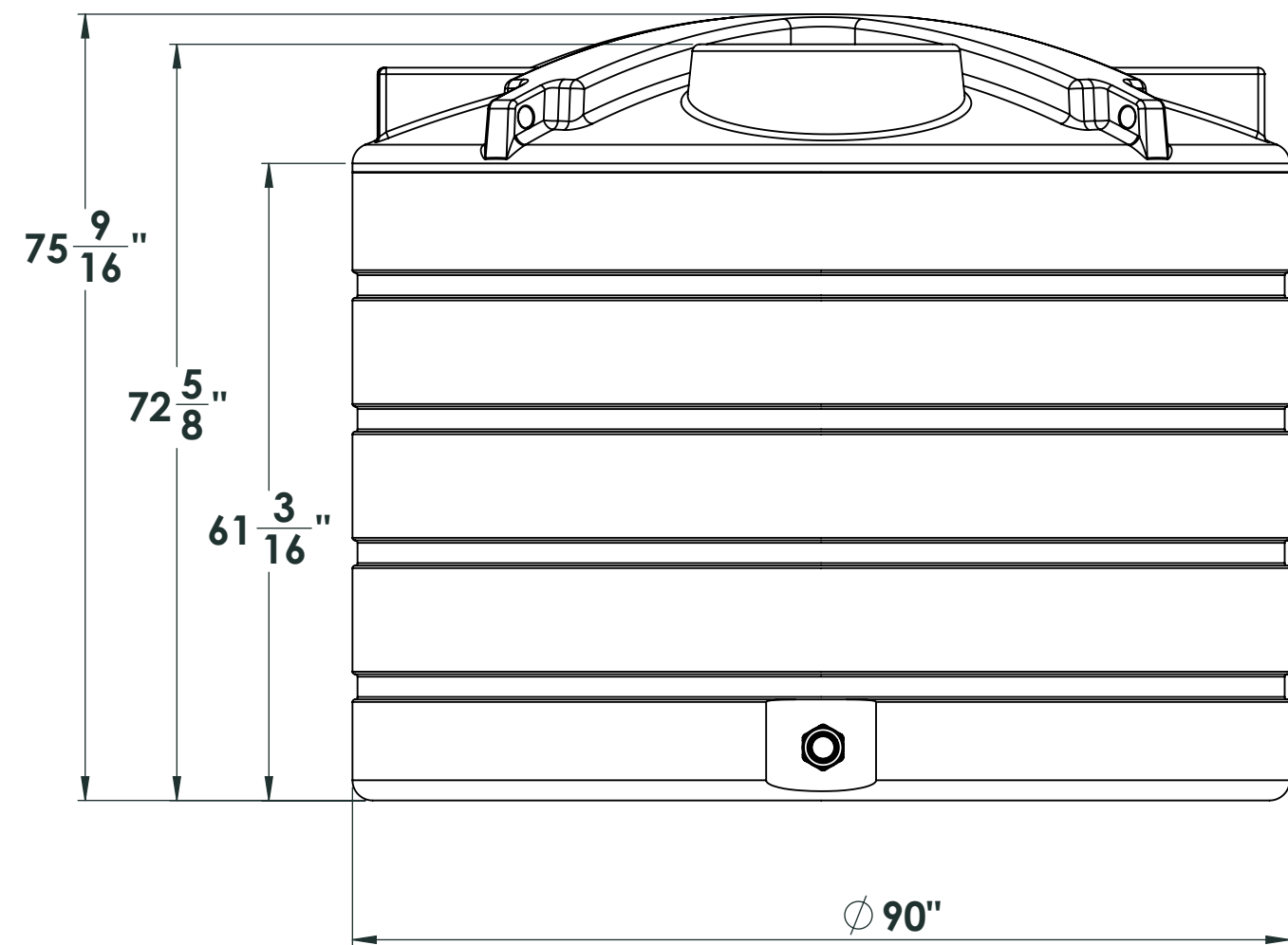
A



16 inch lid



2 inch threaded fitting



**NOTE: Allow +/- 1.5% Shrinkage**

**PROPRIETARY AND CONFIDENTIAL**  
 THE INFORMATION CONTAINED IN THIS DRAWING IS THE SOLE PROPERTY OF ENDURAPLAS LLC. ANY REPRODUCTION IN PART OR AS A WHOLE WITHOUT THE WRITTEN PERMISSION OF ENDURAPLAS LLC IS PROHIBITED.

UNLESS OTHERWISE SPECIFIED:		NAME	DATE	ENDURAPLAS LLC	
DIMENSIONS ARE IN INCHES		DRAWN	DNS	10/31/16	TITLE:
TOLERANCES:		CHECKED			THV01650
FRACTIONAL ±		ENG APPR.			
ANGULAR: MACH ± BEND ±		MFG APPR.			
TWO PLACE DECIMAL ±		Q.A.			SIZE DWG. NO. REV
THREE PLACE DECIMAL ±		COMMENTS:			<b>C</b> <b>1</b>
INTERPRET GEOMETRIC TOLERANCING PER:					SCALE: 1:50 WEIGHT: SHEET 1 OF 1
MATERIAL:					
FINISH:					
NEXT ASSY	USED ON				
APPLICATION		DO NOT SCALE DRAWING			

4

3

2

1