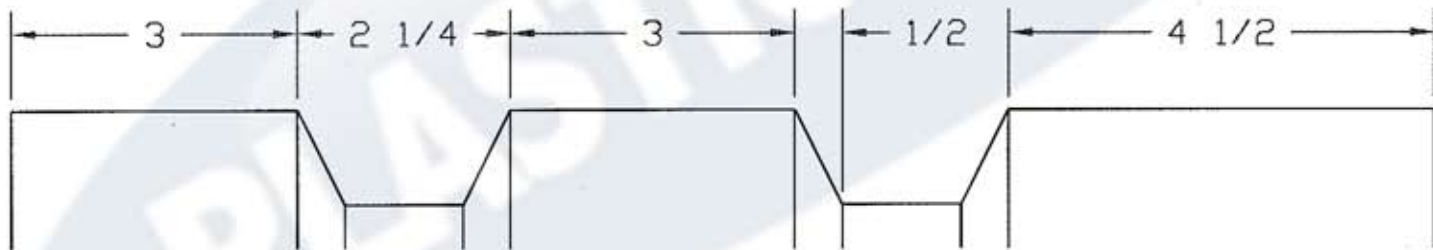
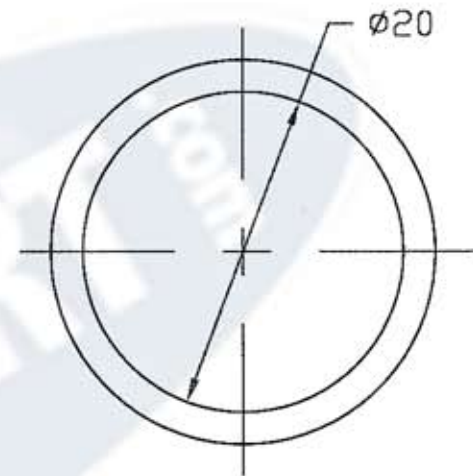
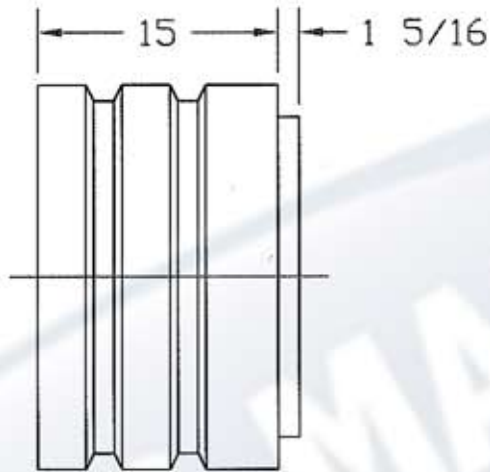
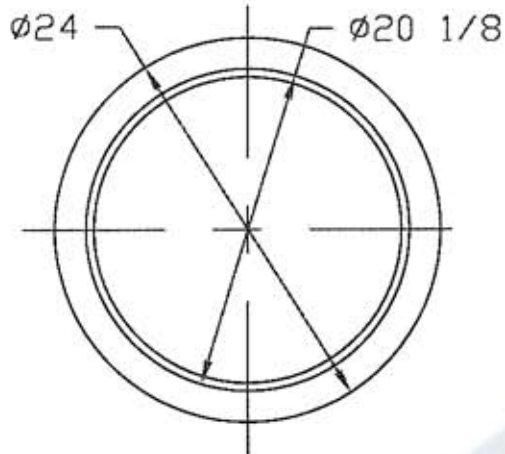



REVISIONS				
ZONE	REV	DESCRIPTION	DATE	APPROVED



RIB DIMENSIONS  
1/2 SCALE

				866-310-2556	
		MANHOLE EXTENSION 15 X 20 W/O LUGS			
JTP	31MAY01	SIZE A	FSCM NO.	DWG NO. 62397	REV
		SCALE 1/12		SHEET	