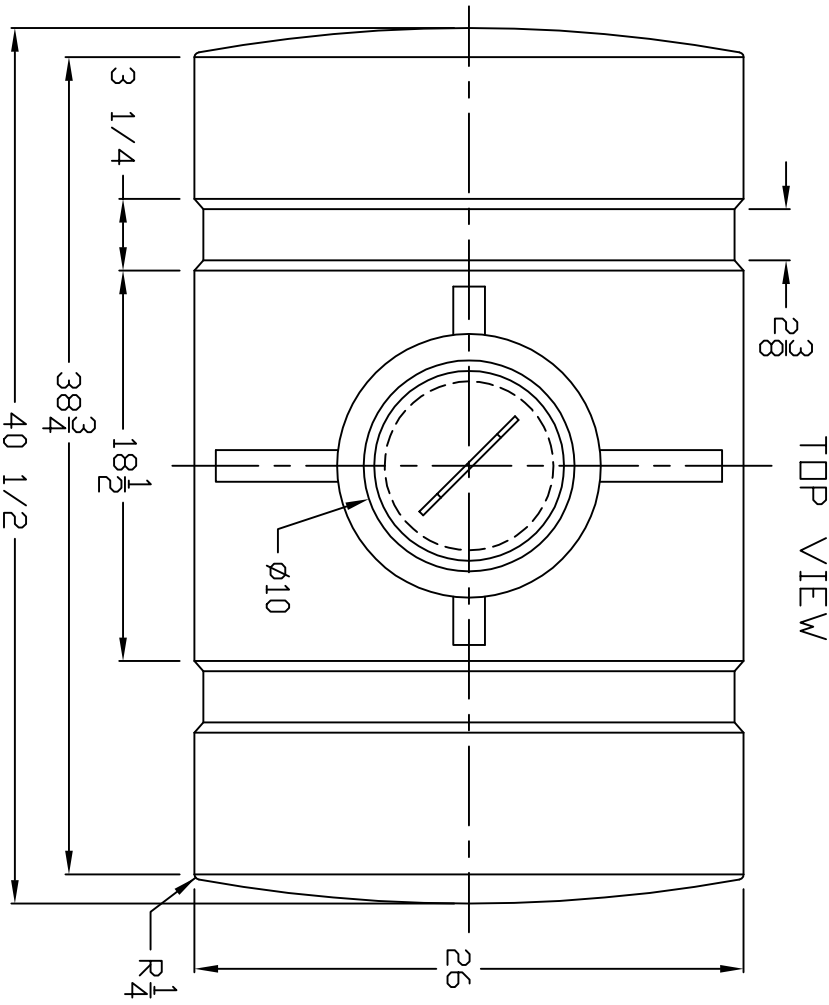
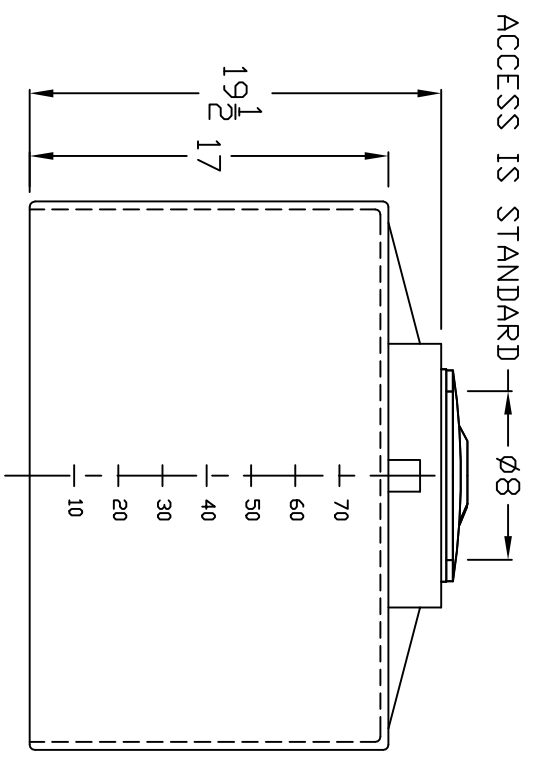


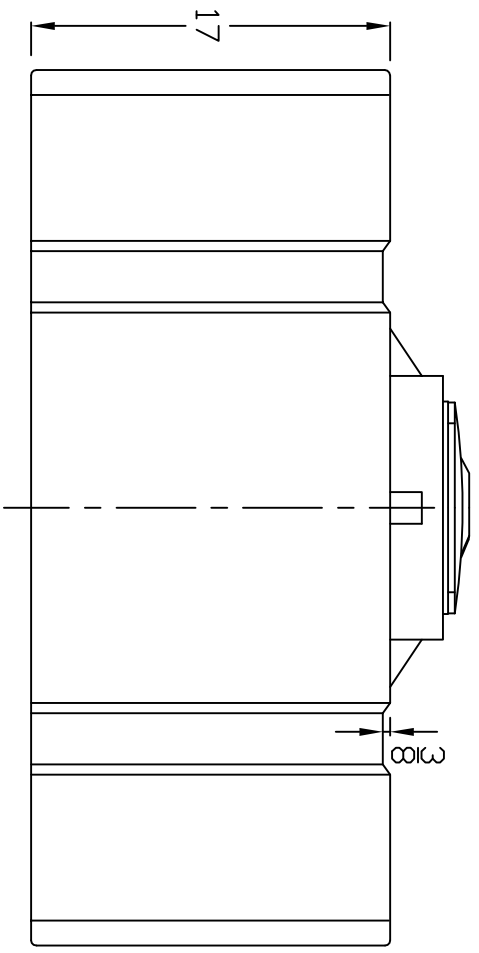
TOP VIEW



FRONT VIEW



SIDE VIEW



THIS DRAWING & DESIGN IS THE PROPERTY OF CHEM-TAINER INDUSTRIES INC. IT MAY NOT BE USED FOR ANY PURPOSE OTHER THAN BY THE OWNER. CHEM-TAINER DOES NOT AUTHORIZE THE REPRODUCTION OR CONVEYANCE OF ANY INFORMATION CONTAINED HEREIN.

ALL DIMENSIONS SHOWN ARE OUTSIDE PART DIMENSIONS IN INCHES, AND VARY BY THE STANDARD ROTATIONAL MOLDING TOLERANCE OF ±2%.

Rev. B	Date 7/11/18	File Name	TRANS75
CHEM-TAINER Industries Inc. 361 Neptune Ave. N. Babylon, NY 11704 (516) 661-8300 Fax: (516) 661-8209		Drawn By:	C.S.
TITLE 75 GALLON TRANS-TANK		Scale	Cust. Rep.
Part #	TRANS75	Dwg. #	C-TRANS75-100