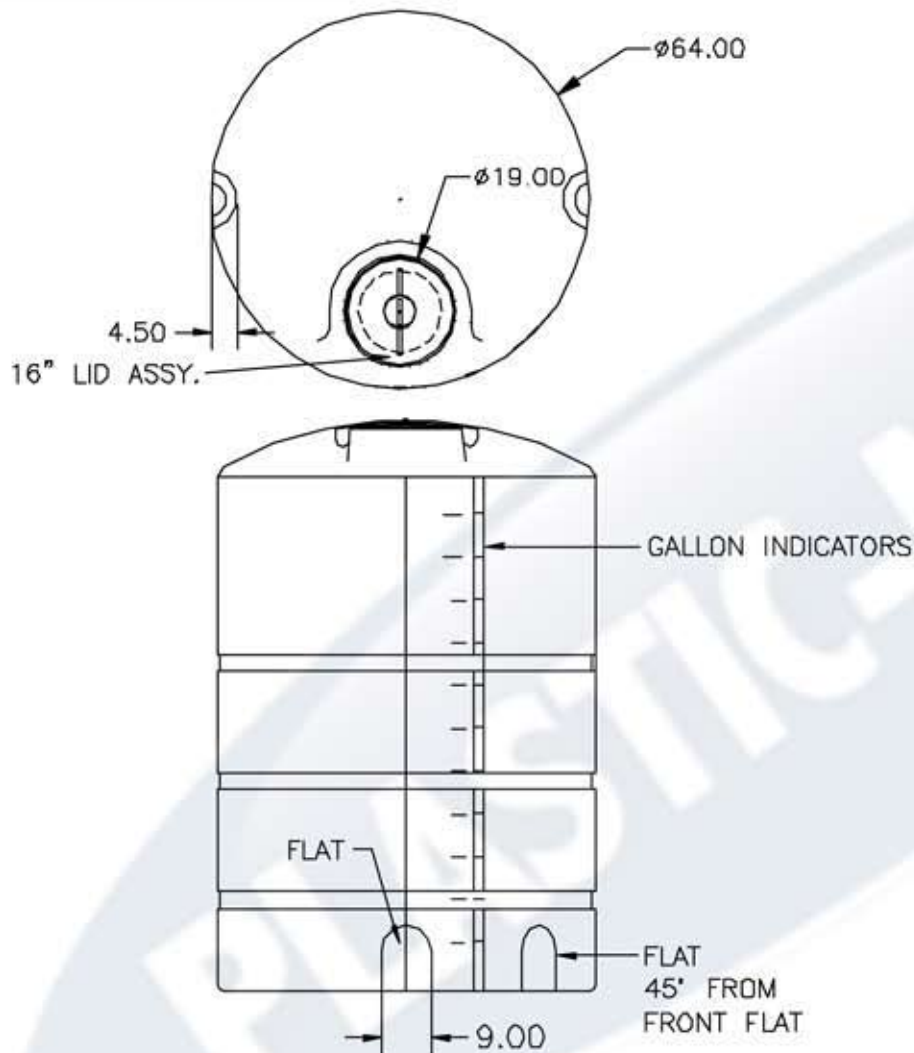


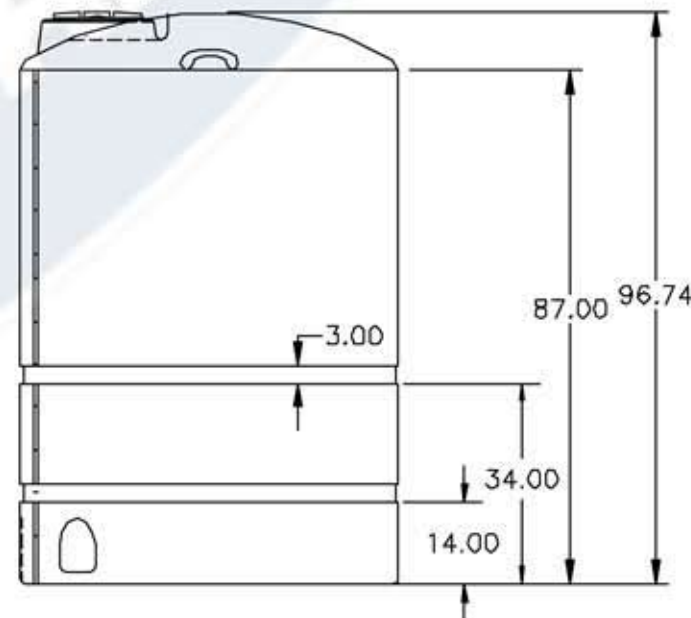
PROPRIETARY DATA

VT1200-64

PROPERTY OF ACE ROTOMOLD MFG., INC. INFORMATION FURNISHED HEREIN IS THE PROPERTY OF ACE ROTOMOLD MFG., INC. AND SHALL NOT BE USED, DISCLOSED TO OTHERS, OR COPIED WITHOUT THE EXPRESSED WRITTEN CONSENT OF ACE ROTOMOLD MFG., INC. ALL RIGHTS RESERVED.



1. HEAVY DUTY POLYETHYLENE CONSTRUCTION
2. 1 PIECE ROTATIONALLY MOLDED
3. TRANSLUCENT
4. FDA APPROVED RESIN
5. CALIBRATED IN GALLONS
6. THREE YEAR WARRANTY
7. UV STABILIZED



				DRAWN / DATE NVE 6/15/15		MATERIAL	
				APPRD. / DATE DHJ 6/21/15		MOBIL 111HDPE OR EQUIVALENT REFERENCE MATERIAL DATA SHEET FOR SPECIFIC PROPERTIES.	
REV	DESCRIPTION	DATE	APPRD.	THIRD ANGLE PROJECTION AND 1/8" SH		NOTES: 1. .291 THICK AT FITTING LOCATIONS 2. WHITE OR YELLOW COLOR 3. SHOT WEIGHT 198 LBS.	
ALL DIMENSIONS ARE IN DECIMAL INCHES TOLERANCES UNLESS OTHERWISE SPECIFIED ± 1% @ 68° F							



866-310-2556

CLIENT / DESCRIPTION		1200 GALLON VERTICAL TANK	
SCALE	N.S.	PART NO.	VT1200-64