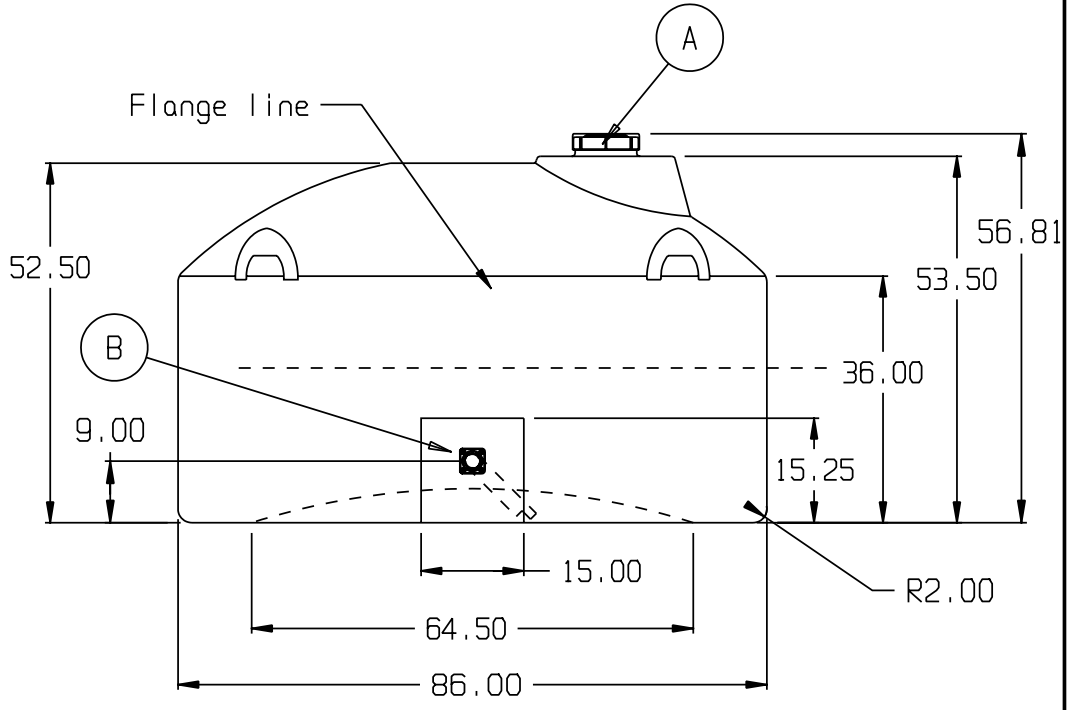
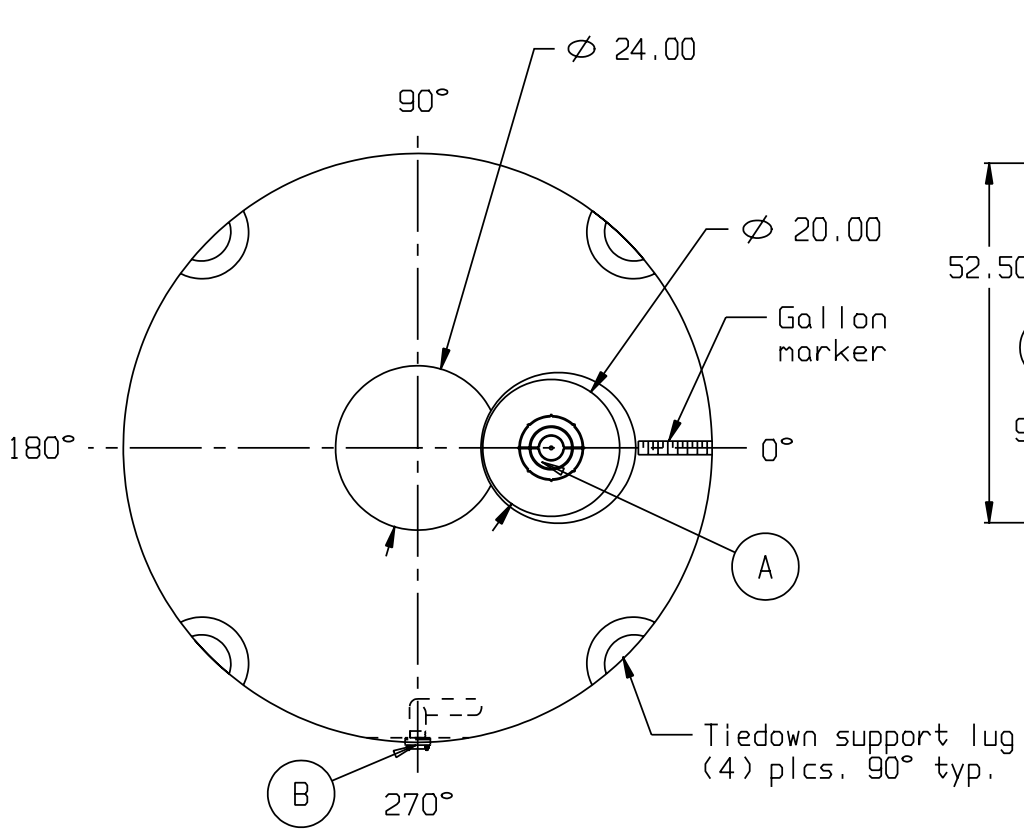


WATER

SNYDER INDUSTRIES INC.



- A. 10" PE THREADED-VENTED FILL CAP W/7" ACCESS [P/N 34300181L]
- B. 2" PP/PE BOLTED FTG SIPHON TUBE ASSY W/EPDM GASKETS & SS BOLTS [P/N 34700841L]

* BASE FITTINGS TO BE LEFT INSTALLED AT TIME OF SHIPMENT PER SII PROCEDURE
 * Consult Snyder's Guidelines for Use and Installation prior to delivery.
 Available on-line at www.snydernet.com

(all dimensions in inches)

PART # TANK: 1710000W94302 (L)
 HDLPE/NAT/WATER

REF#: 0000 12/31/03

1,100 GALLON DOME BOTTOM TANK