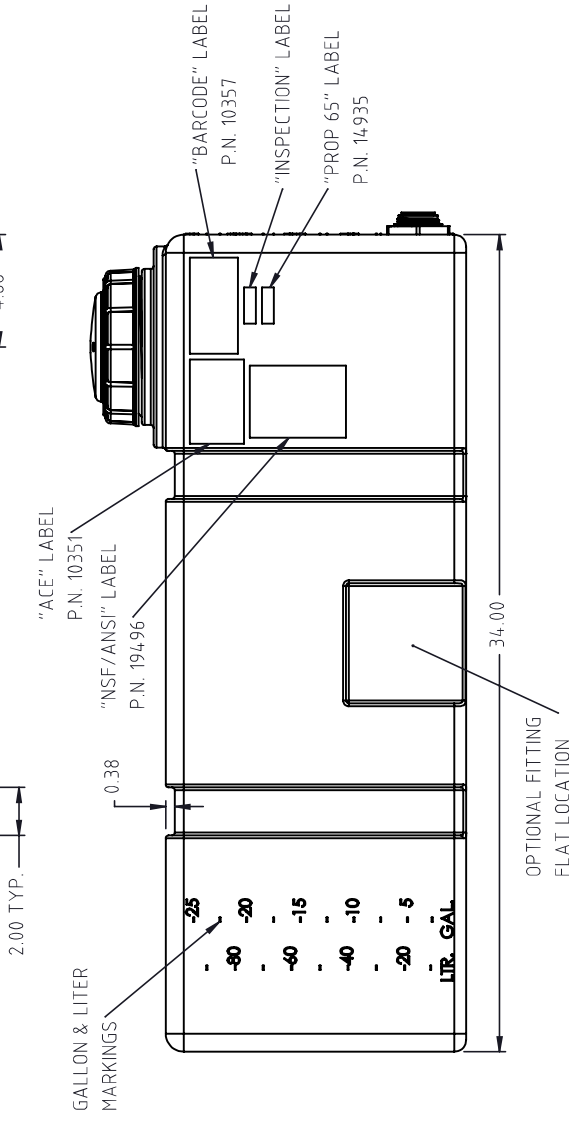
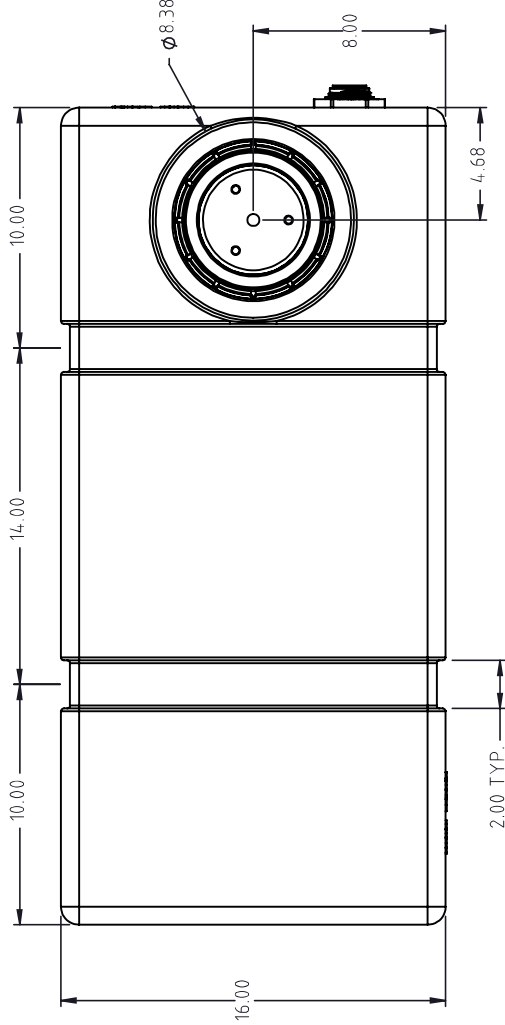
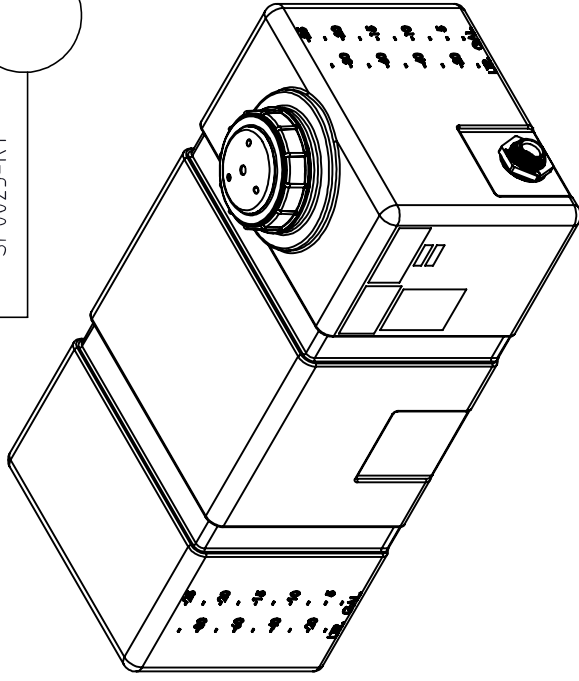


**DEN HARTOG INDUSTRIES, INC.**

Copyright. All information furnished within this document, electronic file or design correspondence is the property of Den Hartog Industries, Inc. and shall not be used, disclosed to others, or copied without the expressed written consent of Den Hartog Industries, Inc.

SP0025-RT



5 IN VENTED LID  
P.N. 13696

1 INCH FITTING  
STANDARD  
P.N. 10485

GALLON & LITER  
MARKINGS

OPTIONAL FITTING  
FLAT LOCATION

MATERIAL : LLDPE

DRAWN / DATE  
SAS 4/11/2024

APPRD. / DATE  
BES 5/6/2024

SHOT WEIGHT: 16 LBS.

SHIPPING WEIGHT: 18 LBS.

FINISH:

NOTES:  
1.) NOM. WALL 0.200"

THIRD ANGLE PROJECTION  
ANSI 14.5-91



REV. DESCRIPTION  
ALL DIMENSIONS ARE IN DECIMAL INCHES  
TOLERANCES UNLESS OTHERWISE SPECIFIED

POLYETHYLENE  
METAL  
DECIMAL ± .125"  
FRACTION ± 1/4"  
ANGLE ± 1°

±1% @ 68° F



**Den Hartog  
INDUSTRIES, INC.**

**Ace Roto-Mold • Injection Molding • Blow Molding • SowJoy**  
4010 HOSPERS DRIVE S. BOX 425, HOSPERS, IOWA 51238-0425

DESCRIPTION SP, RECTANGLE 25 GAL TANK

SCALE N.S. PART NO. SP0025-RT

SHEET 1 OF 1