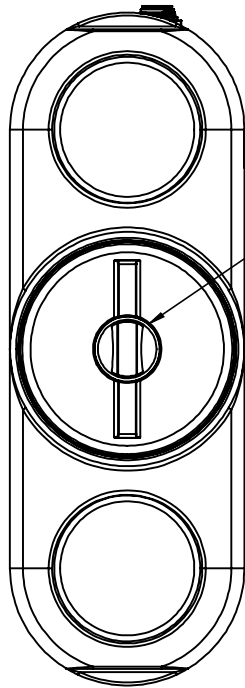
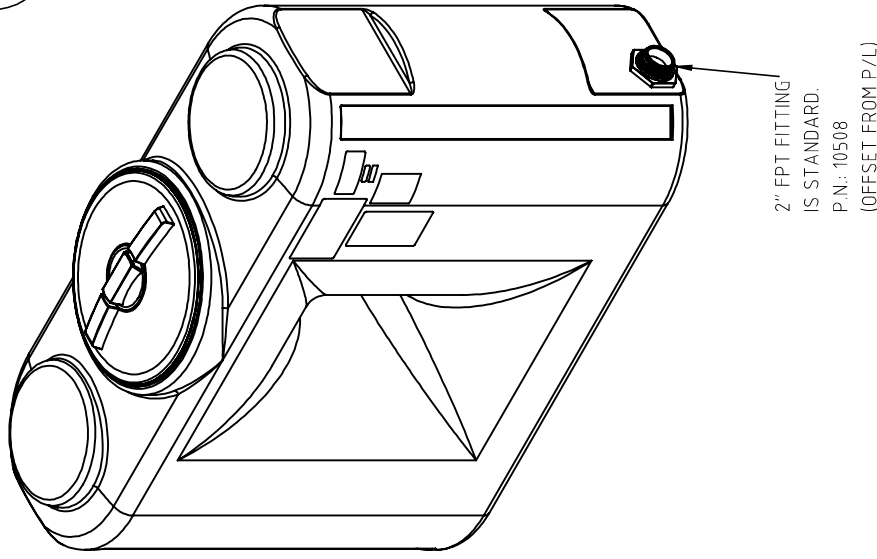


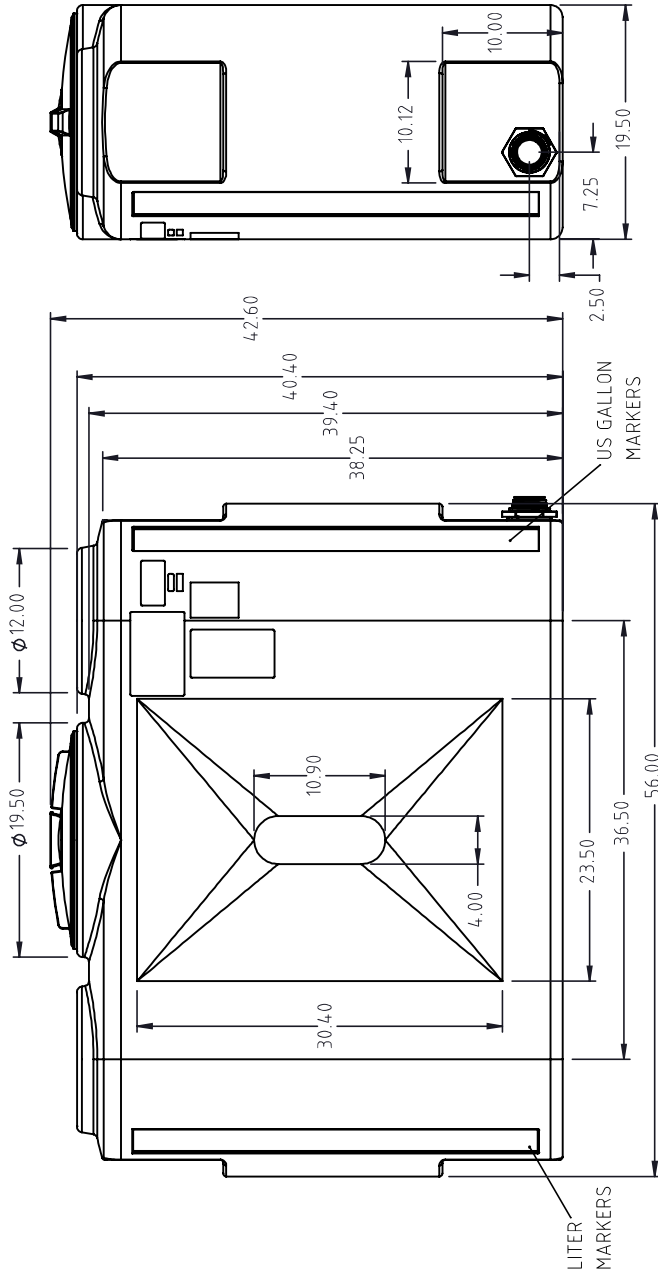
**DEN HARTOG INDUSTRIES, INC.**

Copyright. All information furnished within this document, electronic file or design correspondence is the property of Den Hartog Industries, Inc. and shall not be used, disclosed to others, or copied without the expressed written consent of Den Hartog Industries, Inc.

SP0130-UT



16" VENTED LID  
P.N.: 10528



2" FPT FITTING  
IS STANDARD.  
P.N.: 10508  
(OFFSET FROM P/L)



**Den Hartog  
INDUSTRIES, INC.**

**Ace Roto-Mold • Injection Molding • Blow Molding • Sowjoy**  
4010 HOSPERS DRIVE S. BOX 425, HOSPERS, IOWA 51238-0425

DRAWN / DATE	SAS 10/10/2023	MATERIAL :	10420
APPRD. / DATE	BES 11/16/2023	DESCRIPTION	SP, UTILITY 130 GAL
SHOT WEIGHT: 75 LBS.		SCALE	N.S.
SHIPPING WEIGHT: 79 LBS.		PART NO.	SP0130-UT
FINISH:		SHEET	1 OF 1

REV.	DESCRIPTION	BY	DATE	CCN
	ALL DIMENSIONS ARE IN DECIMAL INCHES TOLERANCES UNLESS OTHERWISE SPECIFIED			
	POLYETHYLENE ±1% @ 68°F			
	METAL DECIMAL ± .125" FRACTION ± 1/4" ANGLE ± 1°			
	THIRD ANGLE PROJECTION ANSI 14.5/1			