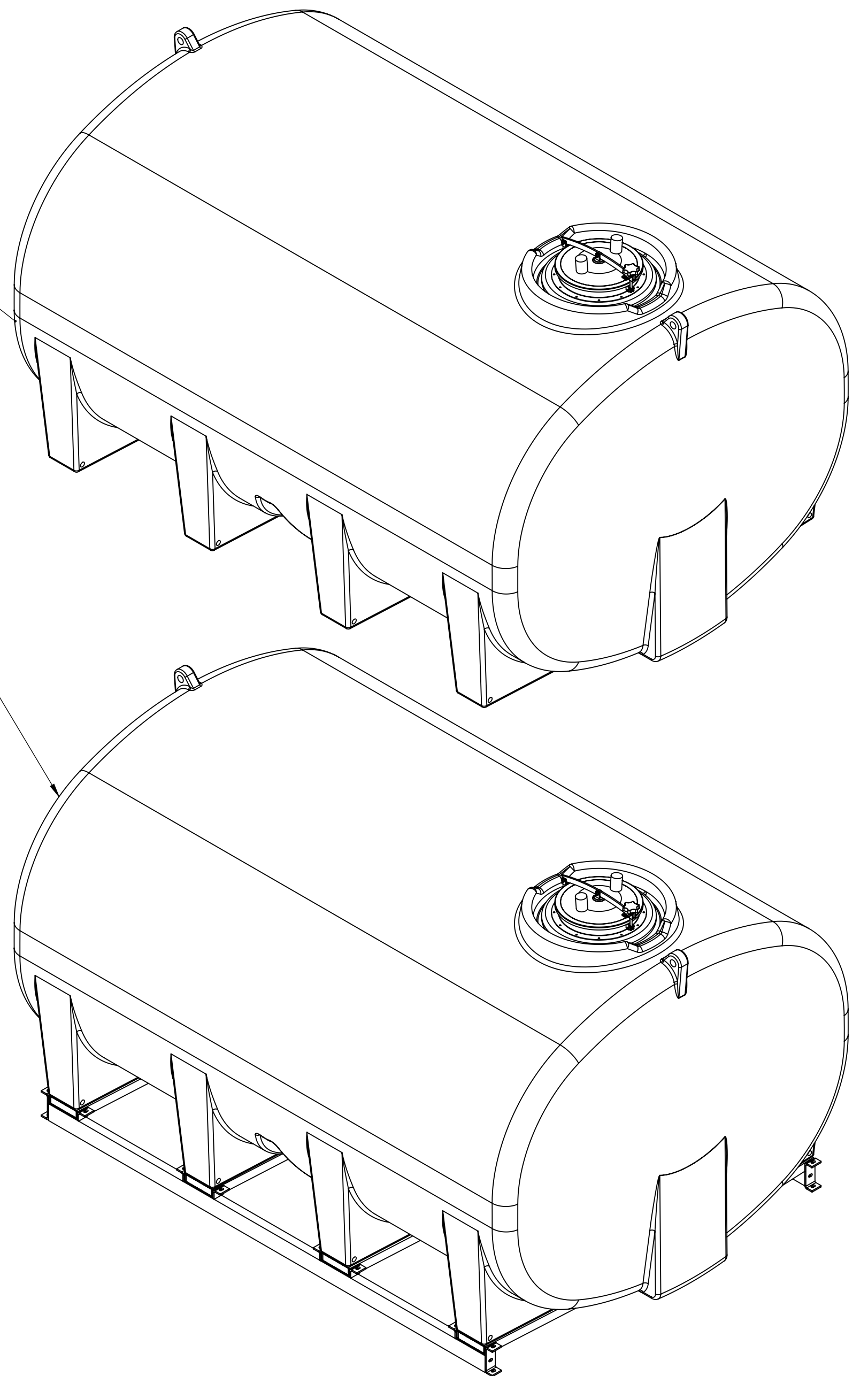


ST3200LP

ST3200LS



NOTE: ALLOW +/- 1.5% SHRINKAGE

PROPRIETARY AND CONFIDENTIAL
 THE INFORMATION CONTAINED IN THIS
 DRAWING IS THE SOLE PROPERTY OF
ENDURAPLAS LLC. ANY
 REPRODUCTION IN PART OR AS A WHOLE
 WITHOUT THE WRITTEN PERMISSION OF
ENDURAPLAS LLC IS PROHIBITED.

UNLESS OTHERWISE SPECIFIED:		NAME	DATE
DIMENSIONS ARE IN INCHES		DNS	5/14/13
TOLERANCES:			
FRACTIONAL ±			
ANGULAR: MATCH ±			
TWO PLACE DECIMAL ±			
THREE PLACE DECIMAL ±			
INTERPRET GEOMETRIC TOLERANCING PER:		Q.A.	
MATERIAL		COMMENTS:	
FINISH			
NEXT ASSY	USED ON		
APPLICATION	DO NOT SCALE DRAWING		

ENDURAPLAS LLC		
TITLE:		
ST3200LP		
SIZE	DWG. NO.	REV
C		1
SCALE: 1:50 WEIGHT:		SHEET 1 OF 1