

PROPRIETARY DATA

10213A

C

PROPERTY OF ACE ROTO-MOLD MFG., INC. INFORMATION FURNISHED HEREIN IS THE PROPERTY OF ACE ROTO-MOLD MFG., INC. AND SHALL NOT BE USED, DISCLOSED TO OTHERS, OR COPIED WITHOUT THE EXPRESSED WRITTEN CONSENT OF ACE ROTO-MOLD MFG., INC. ALL RIGHTS RESERVED.

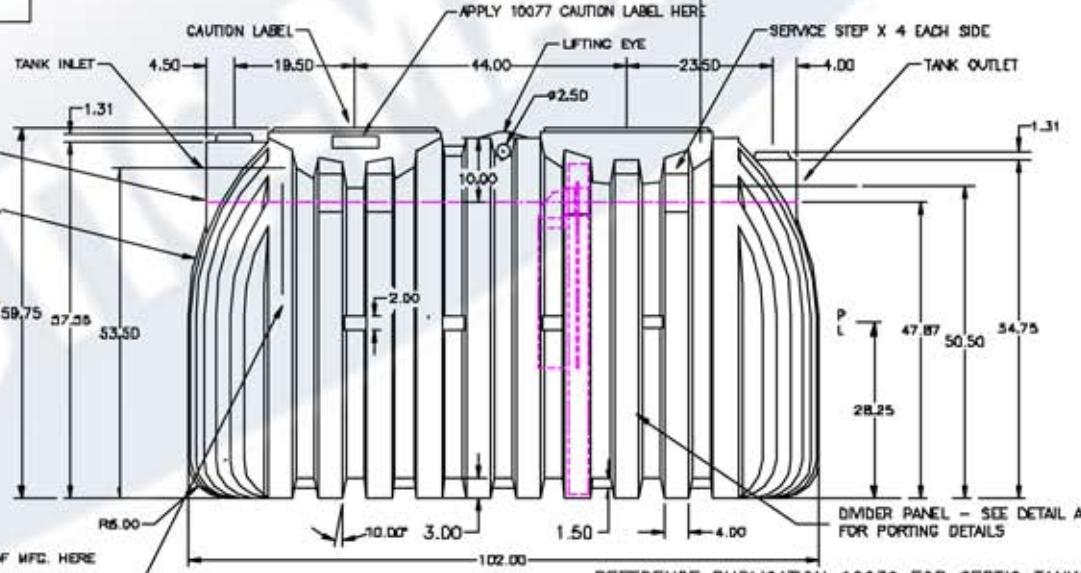
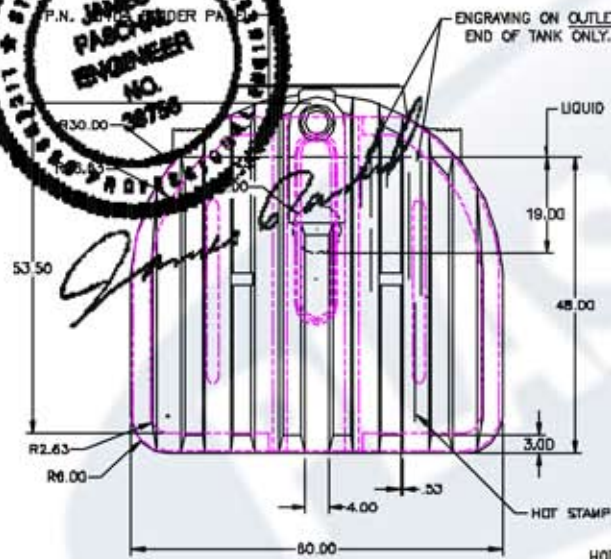
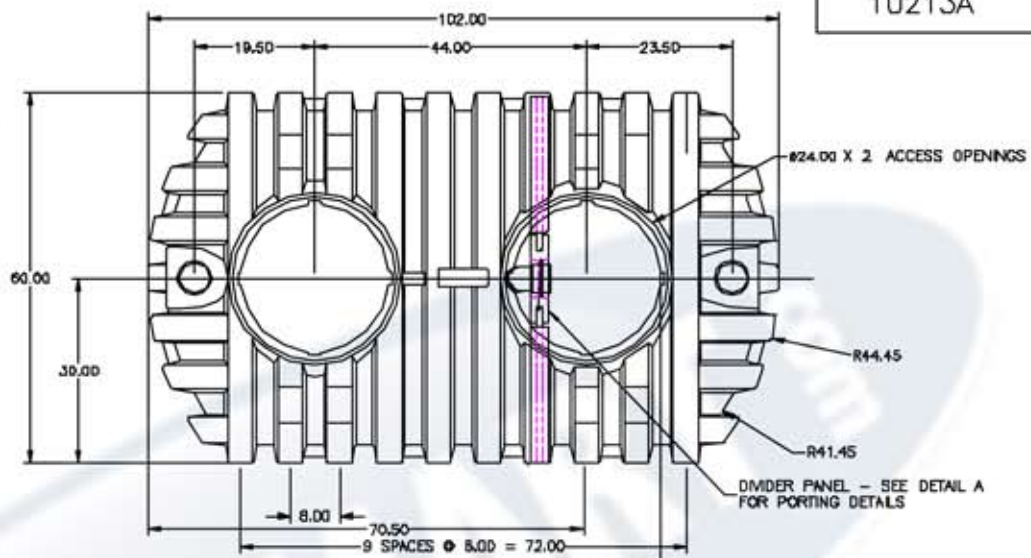
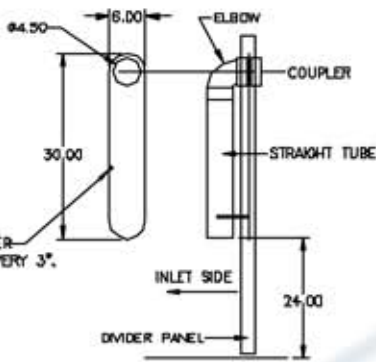
DETAIL A
DIVIDER FILLER PANEL DETAILS

USE THIS FILLER PANEL TO FILL THE SERVICE SLOT IN THE DIVIDER PANEL.

DETAILS SHOWN ARE ACCORDING TO WPMO SPECIFICATIONS.

SPECIFIC PORTING AND FITTINGS USED IN THIS PANEL FOR FLOW BETWEEN COMPARTMENTS MUST BE SUPPLIED BY INSTALLER AND SIZES VARIFIED ACCORDING TO YOUR LOCAL REQUIREMENTS IF DIFFERENT FROM WPMO.

FASTEN PANEL ON INLET SIDE OF DIVIDER WITH #10 S.S. SHEET METAL SCREWS EVERY 3".



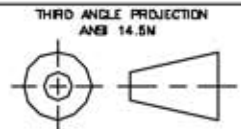
REFERENCE PUBLICATION 10039 FOR SEPTIC TANKS OR PUBLICATION 10149 FOR CISTERN TANKS FOR SPECIFIC INSTALLATION GUIDELINES.

C	ADDED PUBLICATION REF	9/30/05	DRAWN / DATE	REH / 11/1/97
B	DIVIDER FTG. REVISION	4/26/99	APPRD. / DATE	REH / 11/1/97
A	GENERAL REVISION	1/11/99		
REV	DESCRIPTION	DATE	APPRD	

MATERIAL
MOBIL 134 HDPE OR EQUIVALENT
REFERENCE MATERIAL DATA SHEET FOR SPECIFIC PROPERTIES.

PLASTIC-MART 866-310-2556

ALL DIMENSIONS ARE IN DECIMAL INCHES
TOLERANCES UNLESS OTHERWISE SPECIFIED
± .5% @ 68° F



NOTES:
1. NOM. WALL @ .250
2. YELLOW COLOR
3. SHOT WEIGHT 330 LBS.

CLIENT / DESCRIPTION: 1000 GAL. TWO COMPARTMENT SEPTIC TANK
SCALE: N.S. PART NO.: AST-1000-2