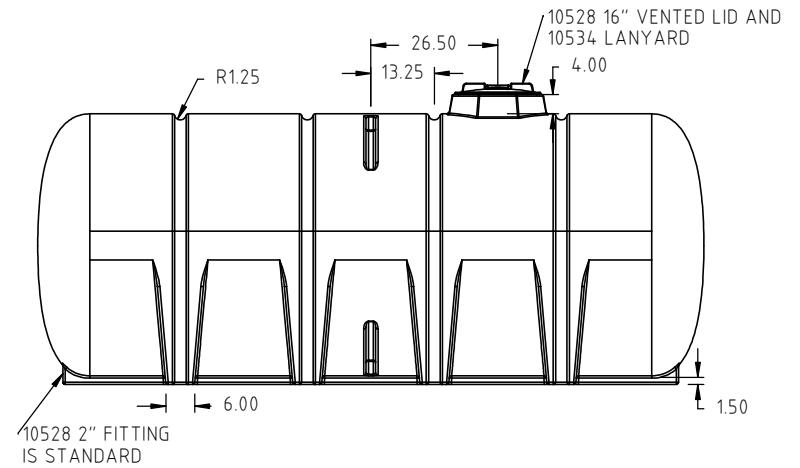
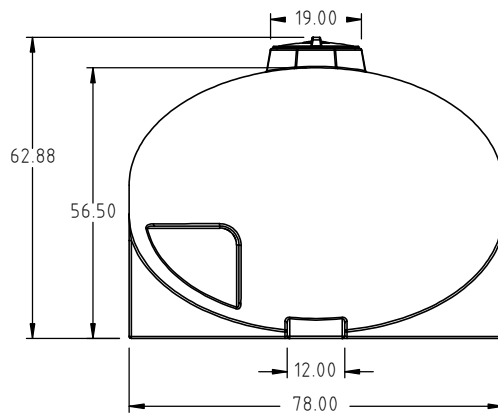
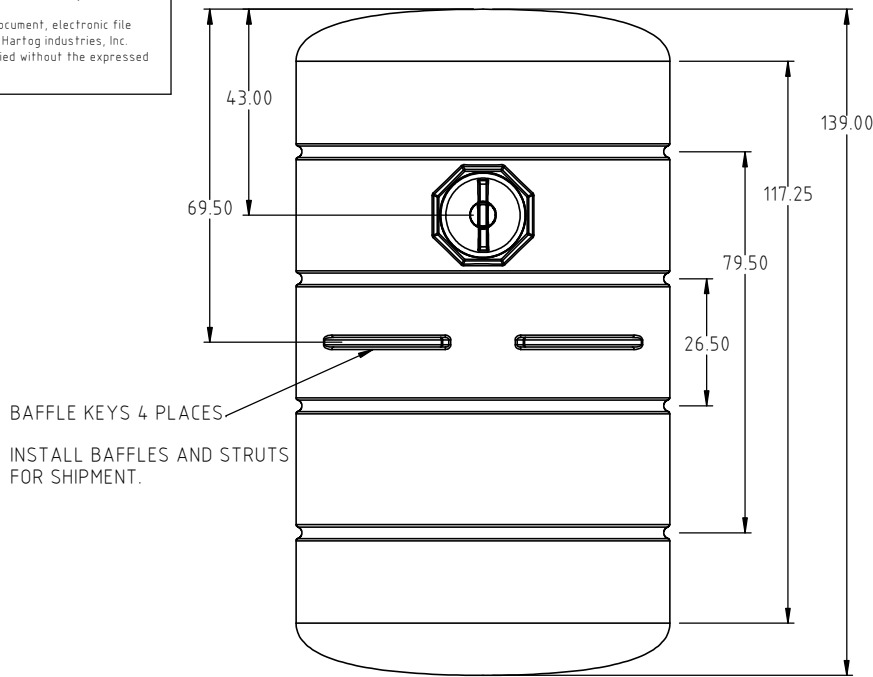



Copyright. All information furnished within this document, electronic file or design correspondence is the property of Den Hartog industries, Inc. and shall not be used, disclosed to others or copied without the expressed written consent of Den Hartog Industries, Inc.



IMPORTANT: HOOPS ARE REQUIRED ON THIS TANK

				DRAWN / DATE ADH 12/17/11	MATERIAL 10538
				APPRD. / DATE REH 2/21/12	
REV	DESCRIPTION	BY / DATE	CCN		
ALL DIMENSIONS ARE IN DECIMAL INCHES TOLERANCES UNLESS OTHERWISE SPECIFIED		THIRD ANGLE PROJECTION ANSI 14.5M		SHOT WEIGHT: 525 LB.	NOTES: 1.) NOM. WALL @ .375 2.) WHITE OR YELLOW COLOR
POLYETHYLENE		METAL DECIMAL ± .125" FRACTION ± 1/4" ANGLE ± 1°		SHIPPING WEIGHT: 571 LB.	
±1% @ 68°F				FINISH:	



**Den Hartog**  
INDUSTRIES, INC.

Acro Roto-Mold Injection Molding Blow Molding Sowjoy

4010 HOSPERS DRIVE S. BOX 425, HOSPERS, IOWA 51238-0425

DESCRIPTION 1850 GALLON LEG TANK W/O SUMP	
SCALE N.S.	PART NO. FS1850-78