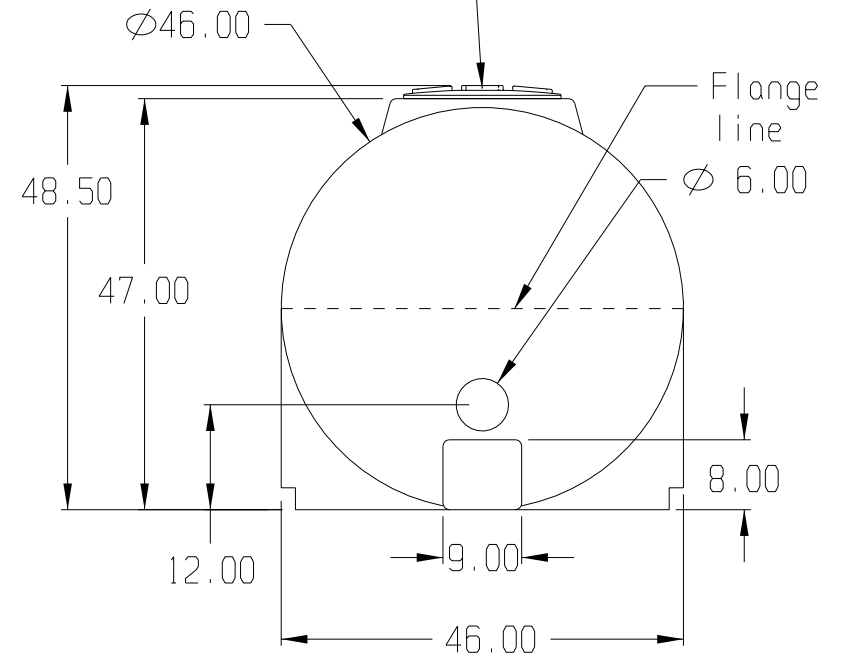


18" PE threaded manway cover w/15" access



(all dimensions in inches)

PART # TANK: 130--

REF#: 0000

07/24/02

BASE FITTINGS TO BE LEFT INSTALLED AT TIME OF SHIPMENT PER Sii PROCEDURE

750 GALLON SUPER-NURSE TANK