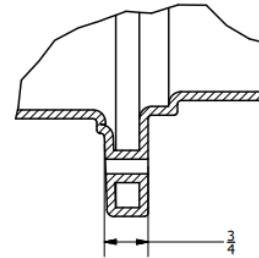
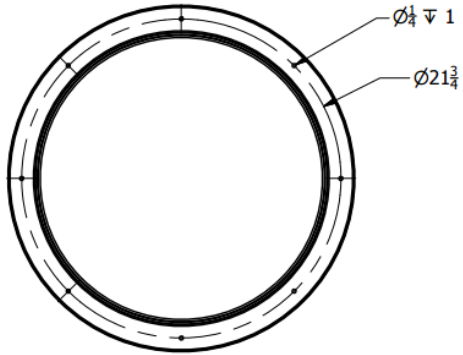
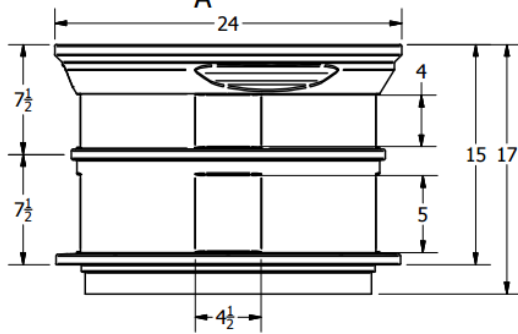
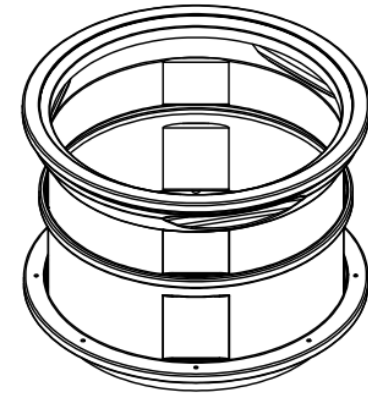


SECTION A-A
SCALE 1 / 8



DETAIL B
SCALE 1 / 2



	5/10/2009			
CHECKED		TITLE		
QA		15 INCH LOW PROFILE MAN HOLE EXTENSION		
MFG		SIZE	DWG NO	REV
APPROVED		B	63833	E
		SCALE: 1/16	SHEET 1 OF 1	