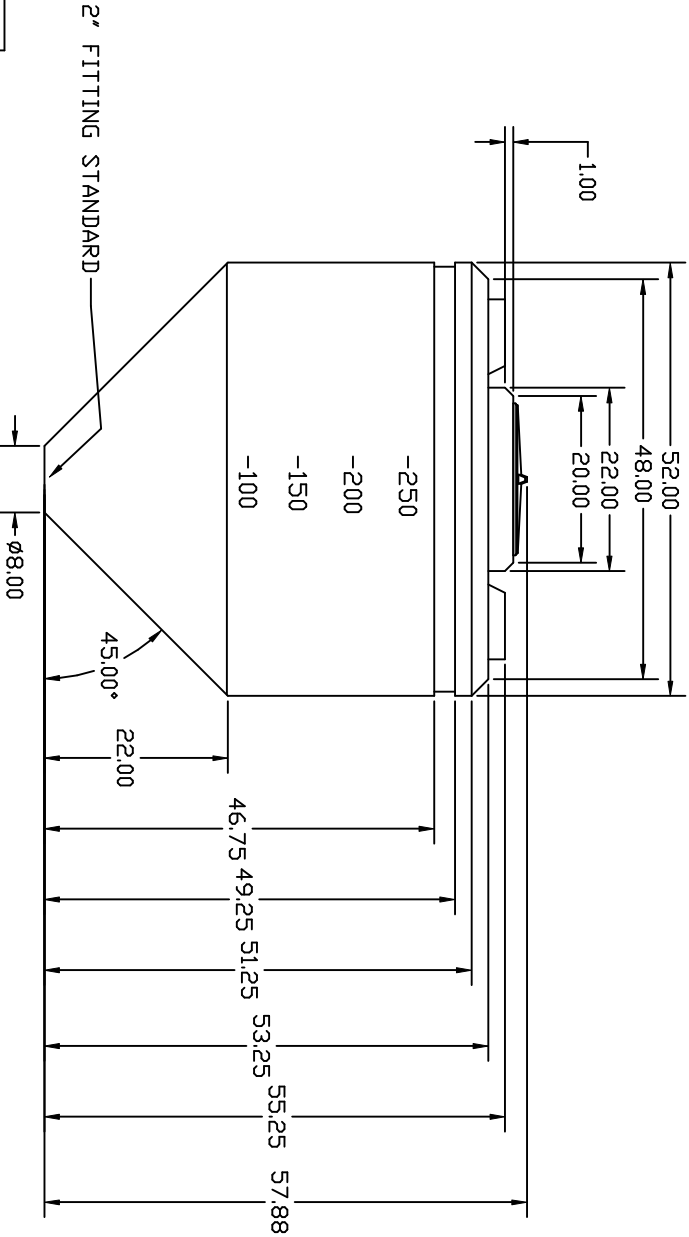
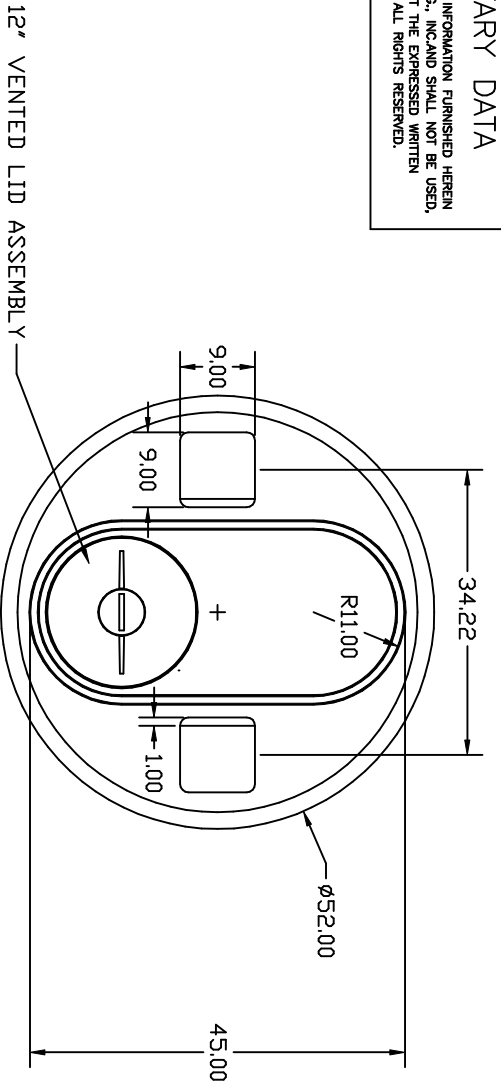


PROPRIETARY DATA

PROPERTY OF ACE ROTO-MOLD MFG., INC. INFORMATION FURNISHED HEREIN IS THE PROPERTY OF ACE ROTO-MOLD MFG., INC. AND SHALL NOT BE USED, DISCLOSED TO OTHERS, OR COPIED WITHOUT THE EXPRESSED WRITTEN CONSENT OF ACE ROTO-MOLD MFG., INC. ALL RIGHTS RESERVED.

CB0345-52

D



D	REMOVED STAND, UPDATED PRINT	5/16/06	NVE
C	CHANGE PART NO. TO CB0345-52	10/5/04	
B	ADD FITTING INFORMATION	10/05/04	
A	FINALIZE PART	9/15/04	
REV	DESCRIPTION	DATE	APPRD

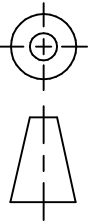
DRAWN / DATE

DHJ / 8/17/04

APPRD. / DATE

XXXX

THIRD ANGLE PROJECTION
ANSI 14.5M



MATERIAL

HDPE OR EQUIVALENT
REFERENCE MATERIAL DATA SHEET
FOR SPECIFIC PROPERTIES.

NOTES:

1. NOM. WALL ϕ .250
2. SHOT WEIGHT 100 LBS.

CLIENT / DESCRIPTION

345 GALLON TANK WITH 45° CONE BOTTOM



ACE ROTO-MOLD

A DIVISION OF DEN HARTOG INDUSTRIES, INC.
4018 HWY. 60 BLDG. BOX 421, HOSPERS, IOWA 51238

SCALE

N.S.

PART NO.

CB0345-52

ALL DIMENSIONS ARE IN DECIMAL INCHES
TOLERANCES UNLESS OTHERWISE SPECIFIED

$\pm 1\% \phi 68^\circ F$