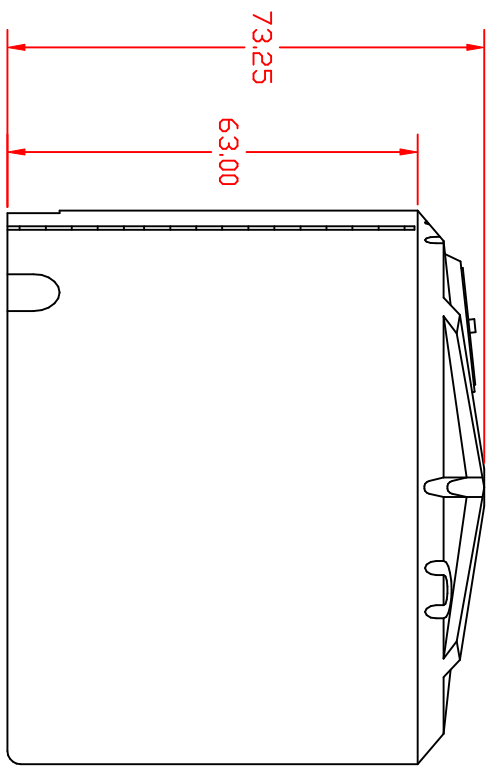
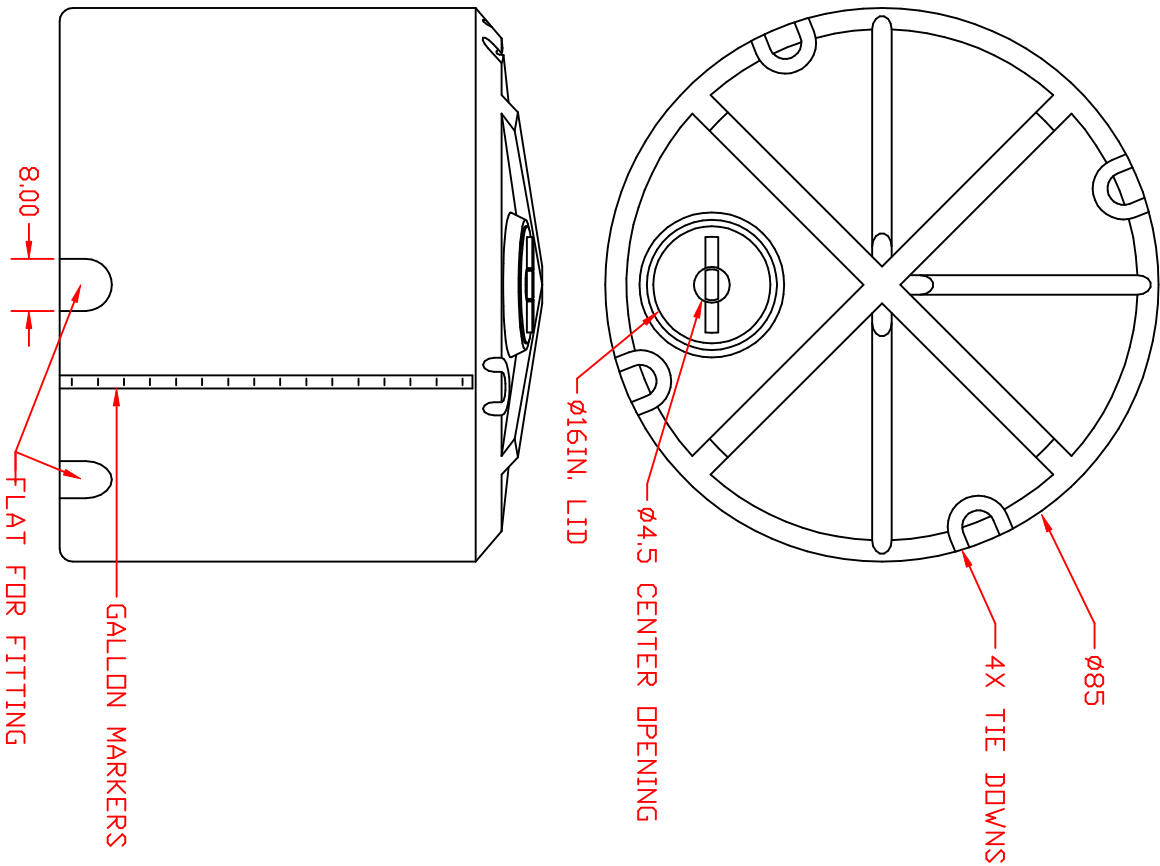



GV01650-85



DRAWN / DATE DHJ/1/23/03		MATERIAL / SHOT WEIGHT 255 LBS.		 Ace Roto-Mold A DIVISION OF DEN HARTOG INDUSTRIES, INC.	
APPRD. / DATE		NOTES: 1.5 SPECIFIC GRAVITY .245 NOM. WALL		CLIENT / DESCRIPTION 1650 GALLON GUSSET TOP TANK	
THIRD ANGLE PROJECTION ANSI 14.5M		SCALE NONE		PART NO. GV01650-85	
ALL DIMENSIONS ARE IN DECIMAL INCHES TOLERANCES UNLESS OTHERWISE SPECIFIED ± 1% @ 68° F					