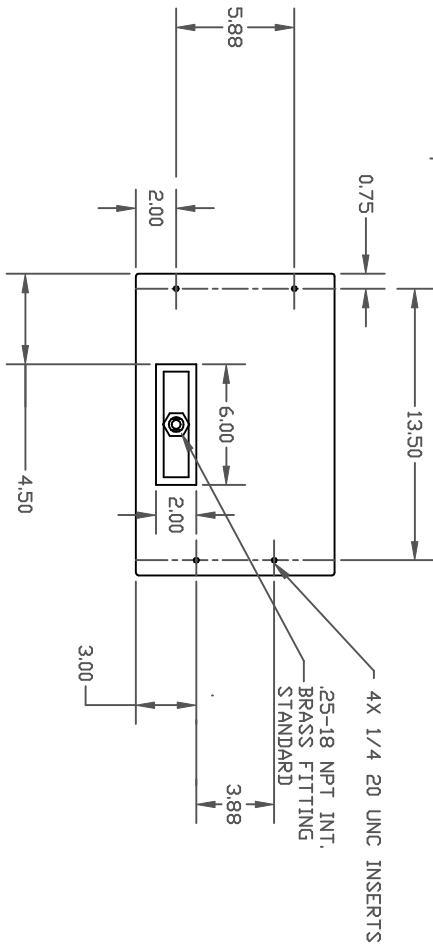
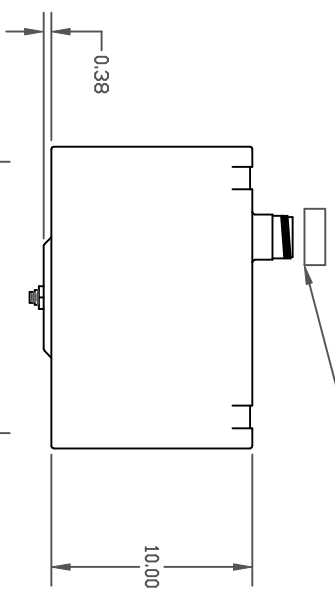
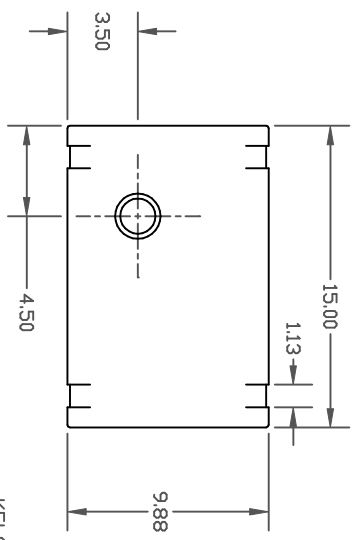


Copyright. All information furnished within this document, electronic file or design correspondence is the property of Den Hartog Industries Inc. and shall not be used, disclosed to others or copied without the expressed written consent of Den Hartog Industries, Inc.



KELCH FUEL CAP - OPTIONAL

REV	DESCRIPTION	DATE	APVD
B	ADD FITTING	10/19/06	DHJ
A	REVISED INSERT DIM.	3/10/95	EDB

MATERIAL
4.2 LB. XLPE

UDS ALL RADII .125

UDS SURFACE FINISH

BREAK ALL EDGES .01 x 45°

DRAWN	DATE
DHJ	11-30-93
CHECKED	DATE
APPROVED	DATE

THIRD ANGLE PROJECTION

Ace Roto-Mold
 A DIVISION OF DEN HARTOG INDUSTRIES, INC.
 4018 HWY. 60 BLYD., BOX 421, HOSPERERS, IOWA 51238

6 GAL FUEL TANK

SIZE A DWG NO. SP006-FUWB REV B

SCALE NONE SHEET OF

UDS DIMENSIONS ARE IN INCHES
 GENERAL TOLERANCES
 ± 1/32