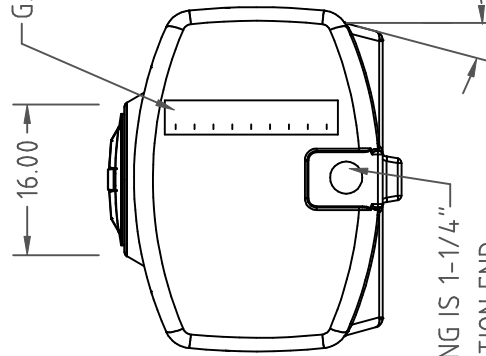
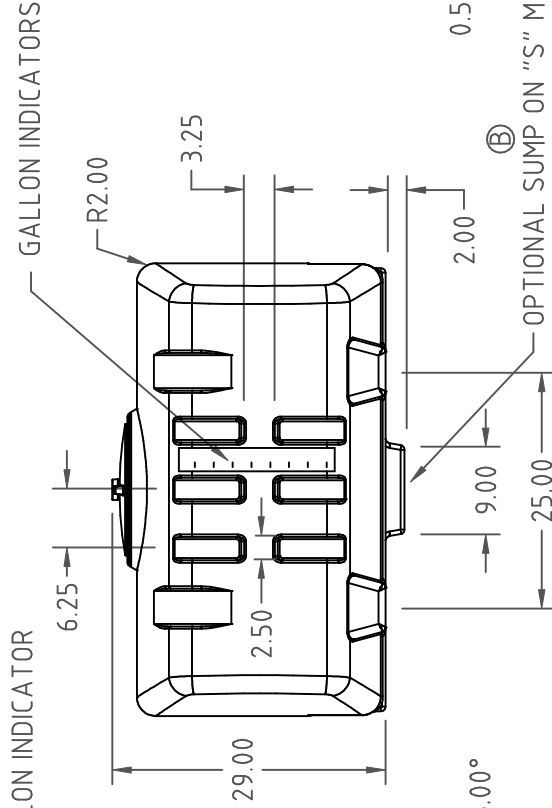
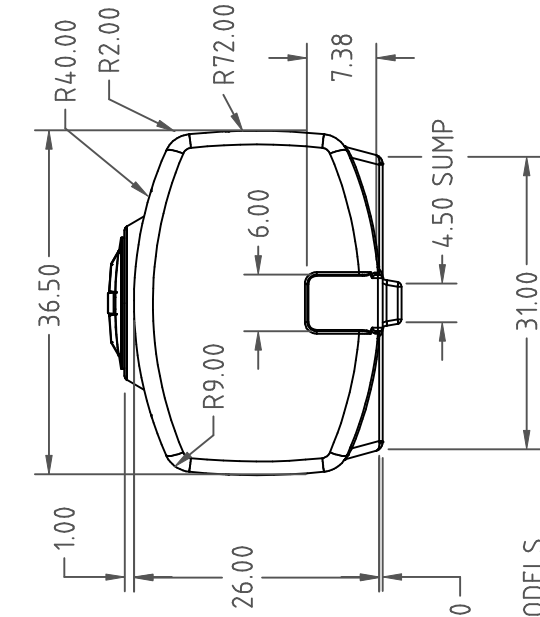
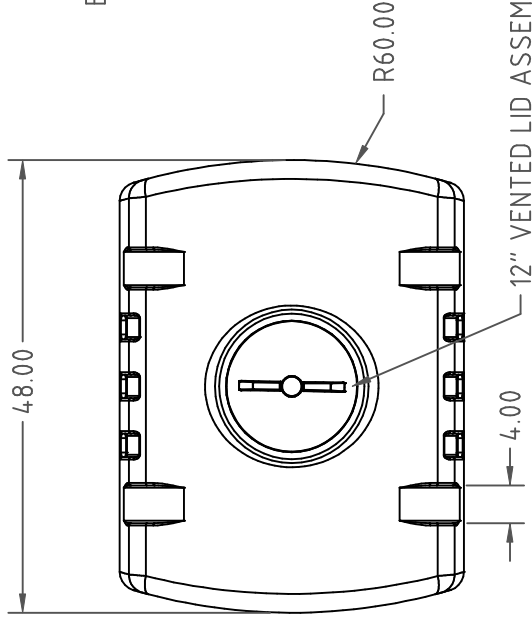
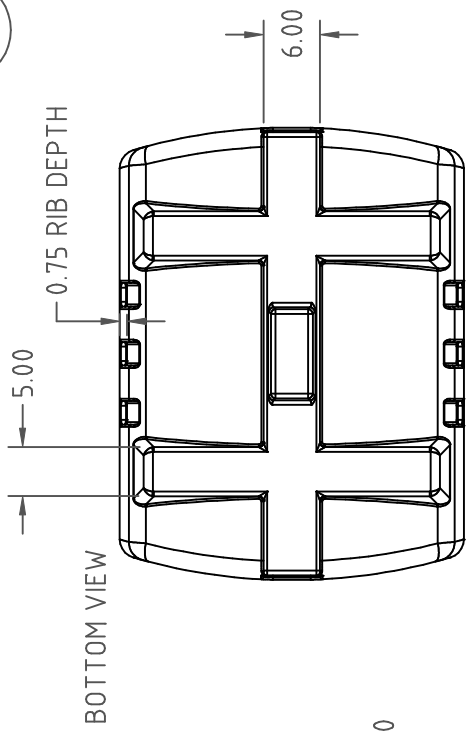


PROPRIETARY DATA

PROPERTY OF ACE ROTO-MOLD MFG., INC. INFORMATION FURNISHED HEREIN IS THE PROPERTY OF ACE ROTO-MOLD MFG., INC. AND SHALL NOT BE USED, DISCLOSED TO OTHERS, OR COPIED WITHOUT THE EXPRESSED WRITTEN CONSENT OF ACE ROTO-MOLD MFG., INC. ALL RIGHTS RESERVED.

PC0150-37

B



STANDARD FITTING IS 1-1/4" STANDARD LOCATION END
TANK WITH SUMP STANDARD LOCATION IS IN SUMP

DRAWN / DATE		REH / 2/20/03		MATERIAL	
B	"S" MODEL WAS "M" CCN 1533	ADH	11/29/07	61 LB. MOBIL 134	
A	CLARIFY FITTING LOCATIONS	2/17/06		NOTES:	
REV	DESCRIPTION	DATE	APPRD	1. NATURAL COLOR	
				2. NOM. WALL .240	
THIRD ANGLE PROJECTION ANSI 14.5M				150 GALLON PCO TANK	
ALL DIMENSIONS ARE IN DECIMAL INCHES TOLERANCES UNLESS OTHERWISE SPECIFIED + .5% @ 68° F				CLIENT / DESCRIPTION	
				DEN HARTOG INDUSTRIES INC.	
				4010 HOSPERS DRIVE SOUTH, BOX 425, HOSPERS, IOWA 51238	
				SCALE N.S.	
				PART NO. PC0150-37S (SUMP)	
				PC0150-37W (NO SUMP)	