

PROPRIETARY DATA

PROPERTY OF ACE ROTO-MOLD MFG., INC. INFORMATION FURNISHED HEREIN IS THE PROPERTY OF ACE ROTO-MOLD MFG., INC. AND SHALL NOT BE USED, DISCLOSED TO OTHERS, OR COPIED WITHOUT THE EXPRESSED WRITTEN CONSENT OF ACE ROTO-MOLD MFG., INC. ALL RIGHTS RESERVED.

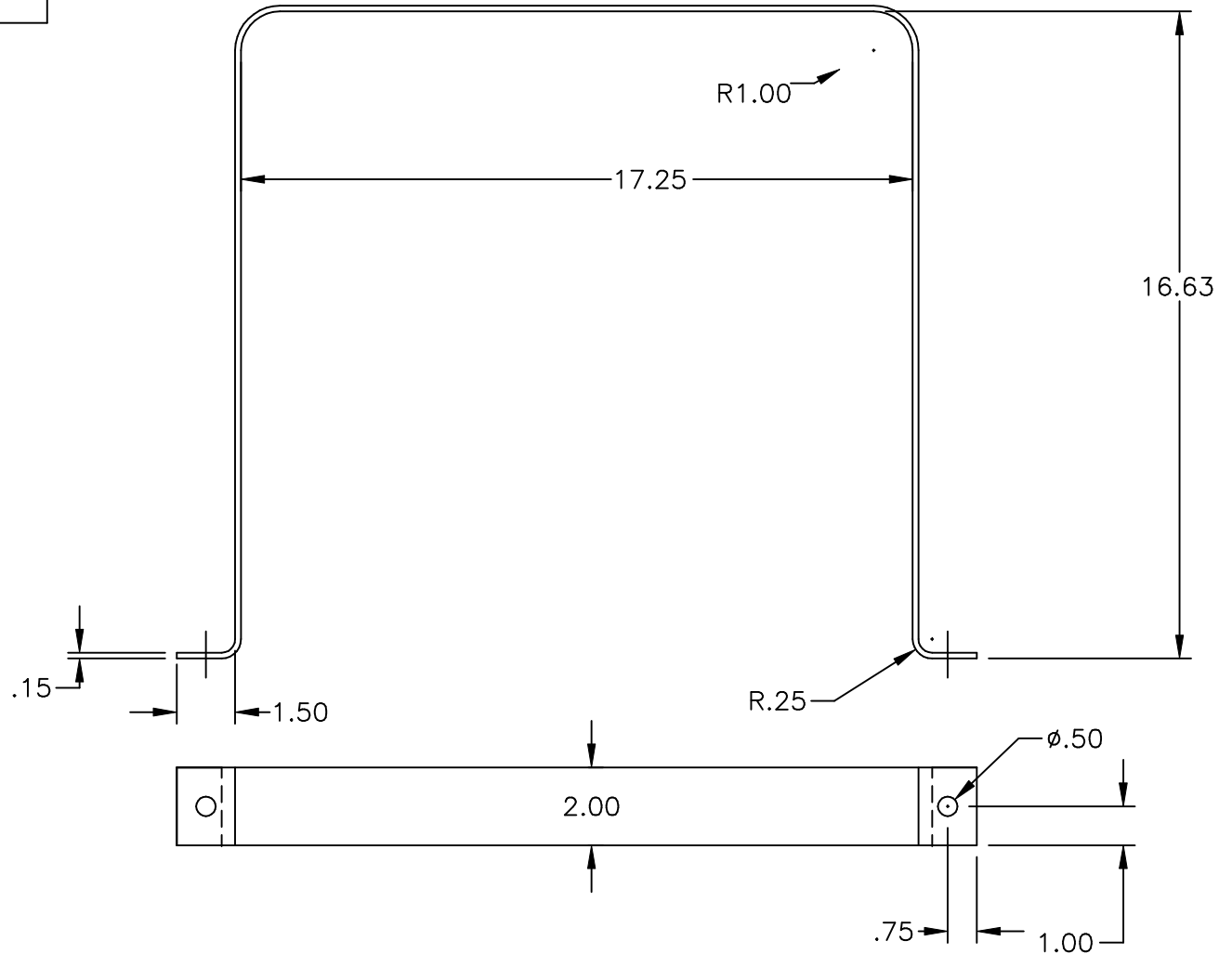
SP0050-SBPS


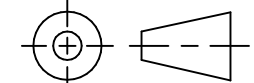
B

SP0050-SBP 2 PER SET

ⓑ

BLANK LENGTH: 53.5"



				DRAWN / DATE NVE 7/1/05	MATERIAL GA 10 (.1375) MILD STEEL PC	 <p>Ace Roto-Mold A DIVISION OF DEN HARTOG INDUSTRIES, INC. 4018 HWY. 60 BLVD., BOX 421, HOSPERS, IOWA 51238</p>
B	ADD TEXT BOX/ADD S TO PART #	4/3/07	GWC	APPRD. / DATE DHJ 9/27/05	CLIENT / DESCRIPTION 50 GALLON RECTANGLE POWDER-COATED STEEL BAND	
A	TOLERANCE WAS 1% @ 68° F	3/13/07	GWC		SCALE N.S.	PART NO. SP0050-SBPS
REV	DESCRIPTION	DATE	APPRD			
<p>ALL DIMENSIONS ARE IN DECIMAL INCHES TOLERANCES UNLESS OTHERWISE SPECIFIED DECIMAL +/- .064" FRACTION +/- 1/8" ANGLE +/- 1°</p>				<p>THIRD ANGLE PROJECTION ANSI 14.5M</p> 	<p>NOTES: 1. NOM. WALL @ .150 2. POWDER COATED 3. WEIGHT 9 LBS. (2 BANDS)</p>	