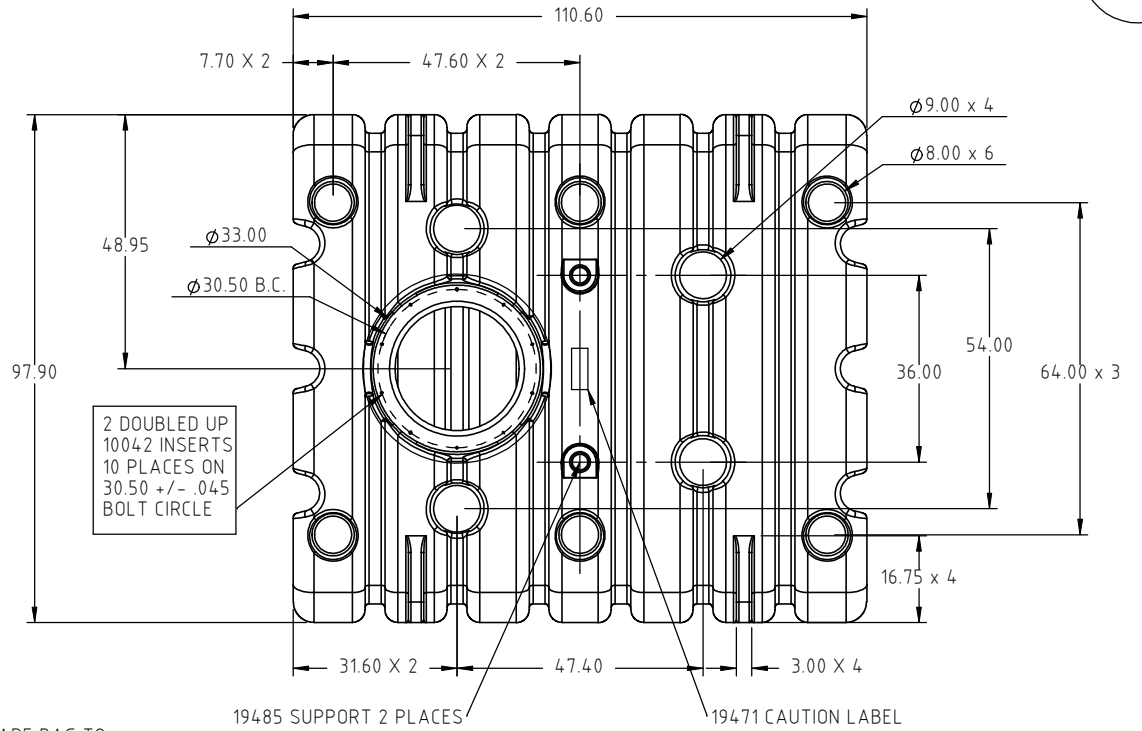


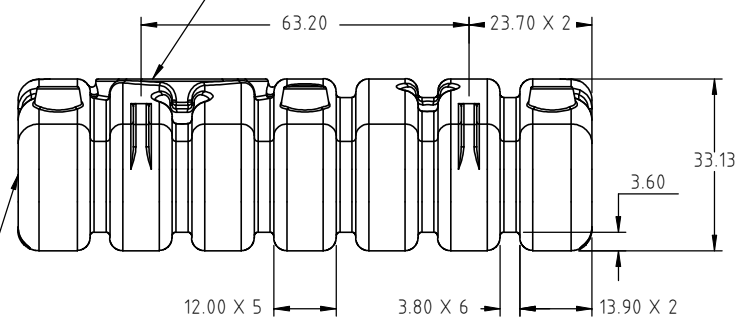
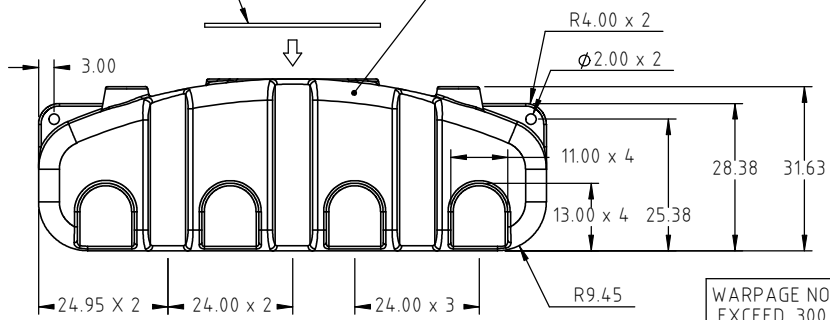
Copyright. All information furnished within this document, electronic file or design correspondence is the property of Den Hartog industries, Inc. and shall not be used, disclosed to others or copied without the expressed written consent of Den Hartog Industries, Inc.




INSTALL 19465 COVER FOR SHIPMENT WITH 2 X 10132 3/8" X 3/4" HEX BOLTS

FASTEN 12768 HARDWARE BAG TO OPENING FLANGE BEFORE INSTALLING 19465 COVER

LID SEAT TO BE FLAT WITHIN .125 T.I.R.



DRAWN / DATE ADH 5/11/09		MATERIAL 12769 M/B 10528 POWDER	
APPROD. / DATE REH 11/16/09		NOTES: 1.) 0.375 WALL THICKNESS	
REV	DESCRIPTION	BY / DATE	CCN
ALL DIMENSIONS ARE IN DECIMAL INCHES TOLERANCES UNLESS OTHERWISE SPECIFIED		THIRD ANGLE PROJECTION ANSI 14.5M	
POLYETHYLENE ±1% @ 68°F		METAL DECIMAL ± .125" FRACTION ± 1/4" ANGLE ± 1°	
SHOT WEIGHT: 537 LB.		SHIPPING WEIGHT: 542 LB.	
FINISH:			



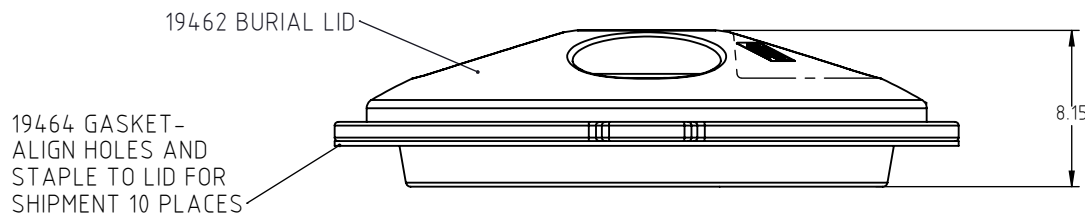
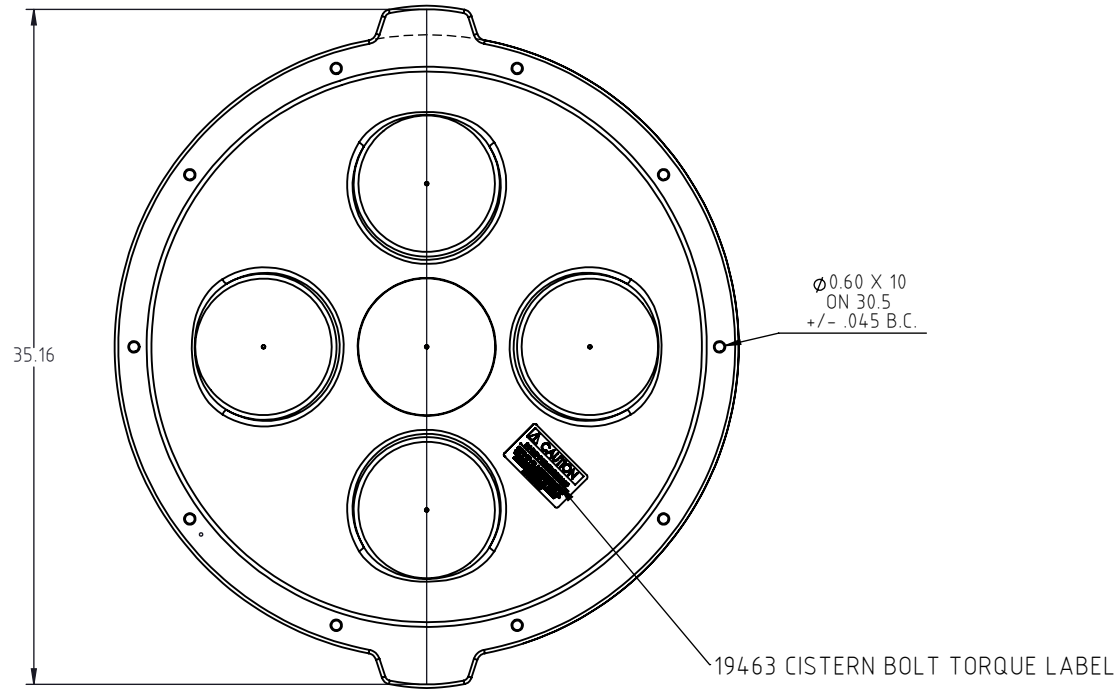
Den Hartog INDUSTRIES, INC.

Acra Roto-Mold Injection Molding Blow Molding Sowjoy

4010 HOSPERS DRIVE S. BOX 425, HOSPERS, IOWA 51238-0425

DESCRIPTION 1000 GALLON CISTERN	
SCALE N.S.	PART NO. ACT1000-LP

Copyright. All information furnished within this document, electronic file or design correspondence is the property of Den Hartog industries, Inc. and shall not be used, disclosed to others or copied without the expressed written consent of Den Hartog Industries, Inc.



NOTE: STRETCH WRAP FOR SHIPMENT

				DRAWN / DATE ADH 5/19/09	MATERIAL
				APPROD. / DATE REH 5/19/09	
REV	DESCRIPTION	BY / DATE	CCN		
ALL DIMENSIONS ARE IN DECIMAL INCHES TOLERANCES UNLESS OTHERWISE SPECIFIED		THIRD ANGLE PROJECTION ANSI 14.5M		SHOT WEIGHT: 17 LBS	NOTES:
POLYETHYLENE		METAL DECIMAL ± .125" FRACTION ± 1/4" ANGLE ± 1°		SHIPPING WEIGHT:	
±1% @ 68° F				FINISH:	



Den Hartog
INDUSTRIES, INC.

Ace Roto-Mold Injection Molding Blow Molding Sowjoy

4010 HOSPERS DRIVE S. BOX 425, HOSPERS, IOWA 51238-0425

DESCRIPTION CISTERN BURIAL LID AND GASKET	
SCALE N.S.	PART NO. ACT-16053