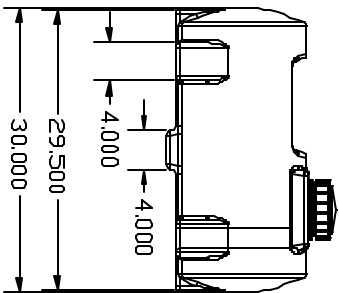
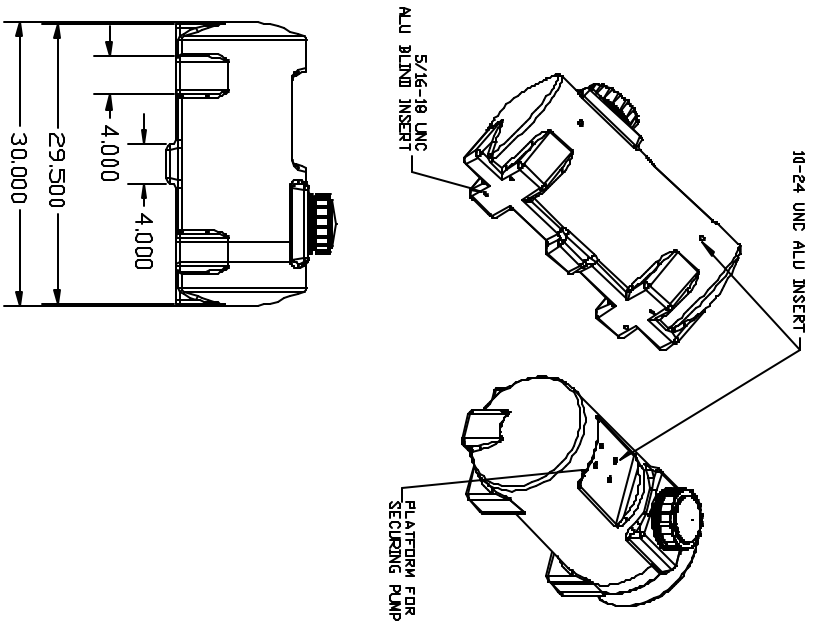
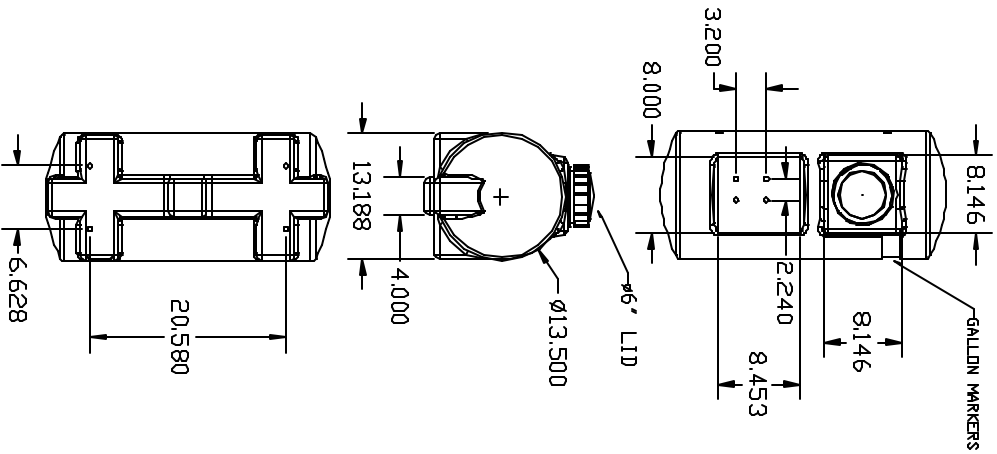


PROPRIETARY DATA

PROPERTY OF ACE ROTO-MOLD MFG. INC. INFORMATION FURNISHED HEREIN IS THE PROPERTY OF ACE ROTO-MOLD MFG. INC. AND SHALL NOT BE USED, DISCLOSED TO OTHERS, OR COPIED WITHOUT THE EXPRESSED WRITTEN CONSENT OF ACE ROTO-MOLD MFG. INC. ALL RIGHTS RESERVED.

FM0115-14



REV	DESCRIPTION	DATE	APPRD

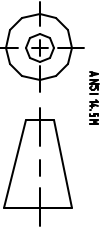
DRAWN / DATE

NVE 6/9/15

APPRD. / DATE

DHJ 6/21/15

THIRD ANGLE PROJECTION
ANSI X1.18



MATERIAL

HQPE OR EQUIVALENT
REPRODUCE MATERIAL DATA SHEET
FOR SPECIFIC PROPERTIES.

NOTES:

1. NOM. WALL ϕ .193
2. WHITE OR COLOR
3. SHOT WEIGHT 11 LBS.

CLIENT / DESCRIPTION

15 GALLON

FREE STANDING TANK



A DIVISION OF DAN HANTON INDUSTRIAL, INC.
4018 HWY. 61 BL. VD., BOX 471, HOSPERS, INVA 51238

SCALE

N.S.

PART NO.

FM0015-14

ALL DIMENSIONS ARE IN DECIMAL INCHES
TOLERANCES UNLESS OTHERWISE SPECIFIED
+ 1% @ 68° F