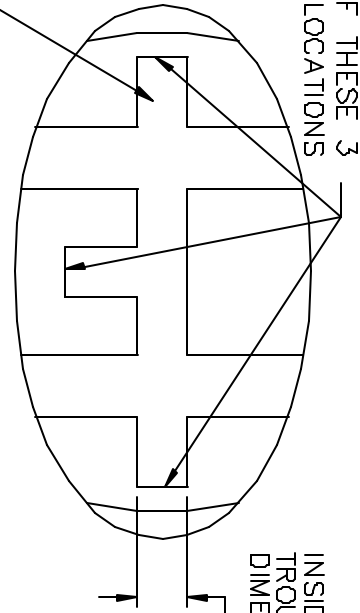


14.00 ϕ OPENING
19.50 ϕ

TOP VIEW

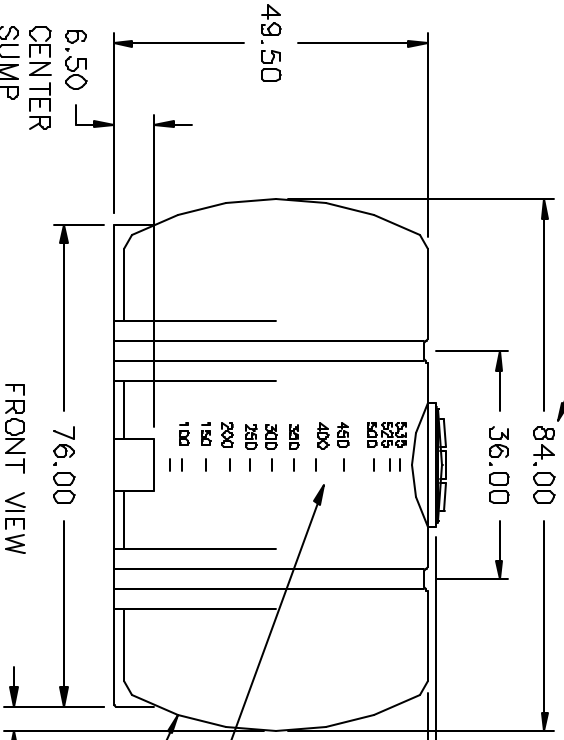
BAND CENTER TO CENTER DISTANCE

NOTE: 6.00 CENTER TROUGH PROMOTES DRAINAGE OF TANK



INSIDE TROUGH DIMENSION 7.50

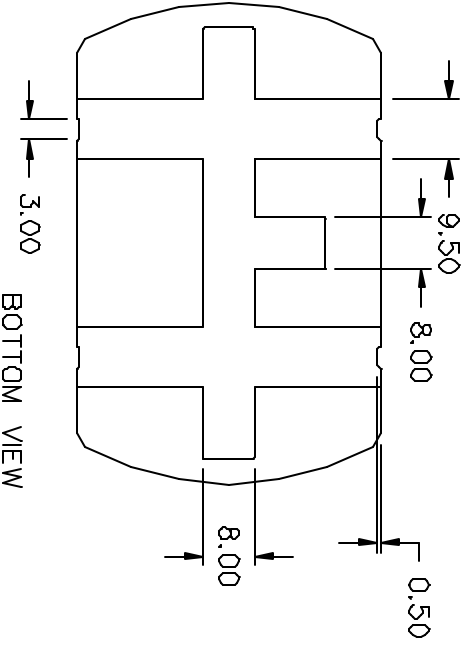
CUTAWAY VIEW OF BOTTOM INSIDE OF TANK



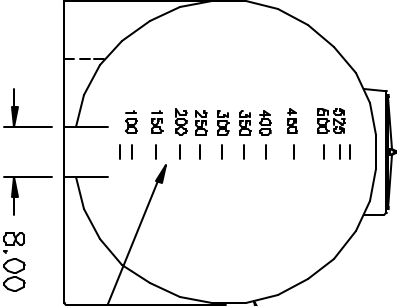
535
525
500
450
400
350
300
250
200
150
100

FRONT OF TANK IS MARKED IN GALLONS

FRONT VIEW



BOTTOM VIEW



48.00 ϕ TANK

RIGHT SIDE OF TANK IS MARKED IN GALLONS

RIGHT SIDE VIEW

TANK FITTING CAN BE INSTALLED IN ANY OF THESE 3 SUMP LOCATIONS

MATERIAL	ACE		
SCALE	ROTO-MOLD		
DRAWING NUMBER	N.S.	DFT.	DATE
FS0535-48			11/92
FS0535-48			