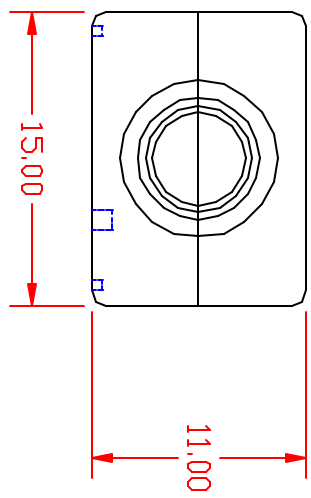
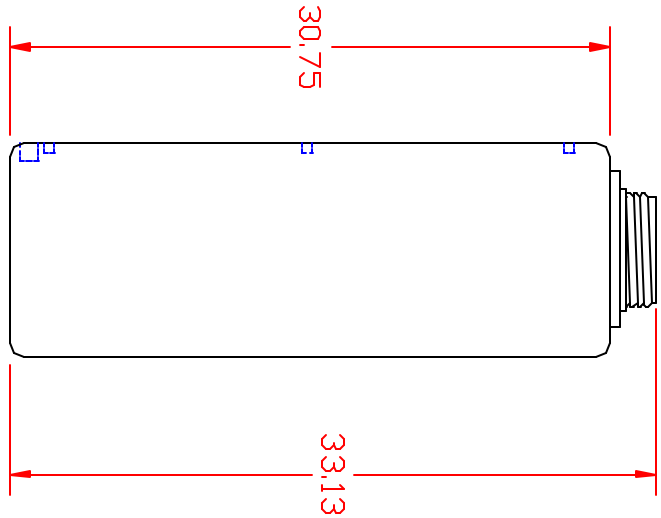
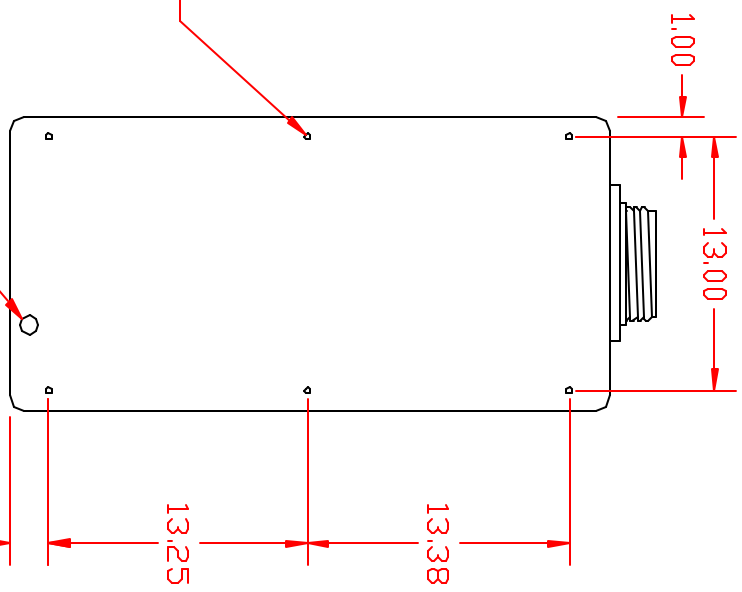
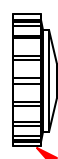


SP0020-DM



5 IN VENTED LID



REV	DESCRIPTION	DATE APPRD.	DRAWN / DATE DHJ/1/7/03	APPRD. / DATE	MATERIAL / SHOT WEIGHT 16 LBS.

THIRD ANGLE PROJECTION
ANSI 14.5M

Ace Roto-Mold
A DIVISION OF DEN HARTOG INDUSTRIES, INC.

CLIENT / DESCRIPTION
20 GALLON RECTANGLE

ALL DIMENSIONS ARE IN DECIMAL INCHES TOLERANCES UNLESS OTHERWISE SPECIFIED ± 1% @ 68° F		NOTES: 1. NOM. WALL .230	SCALE NONE	PART NO. SP0020-DM
---	--	-----------------------------	---------------	-----------------------