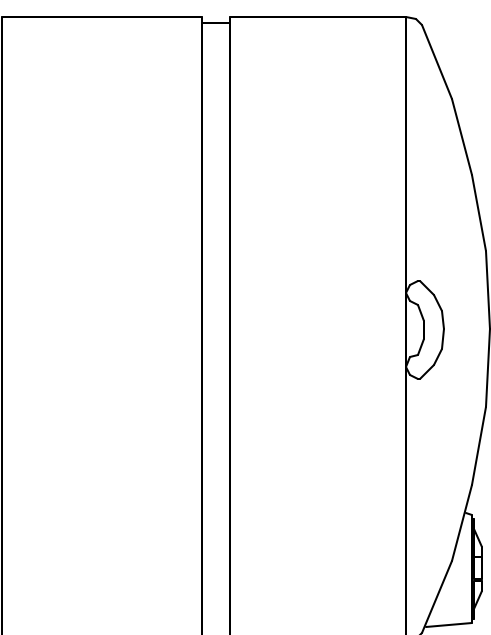
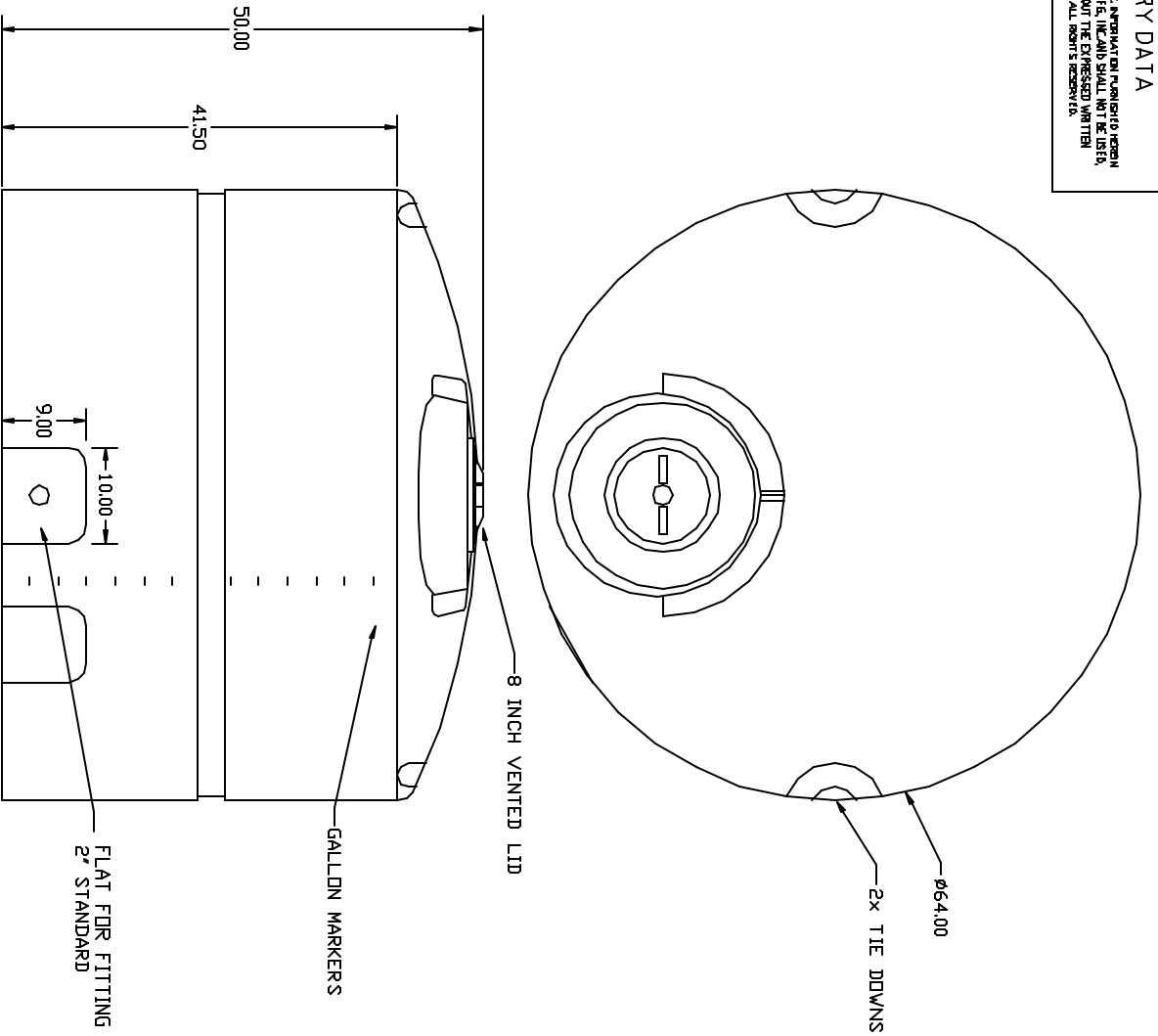



PROPRIETARY DATA

PROPERTY OF ACE ROTO-MOLD, INC. INFORMATION FURNISHED HEREIN IS THE PROPERTY OF ACE ROTO-MOLD, INC. AND SHALL NOT BE USED, DISCLOSED TO OTHERS, OR COPIED WITHOUT THE EXPRESSED WRITTEN CONSENT OF ACE ROTO-MOLD, INC. ALL RIGHTS RESERVED.

VT0625-64



DRAWN / DATE DHJ 5/2/03		MATERIAL / SHOT WEIGHT POLYETHYLENE 100 LBS.	
APPRD. / DATE		NOTES: 1. NOM. WALL @ .17 2. OPTIONAL 16" LID	
THIRD ANGLE PROJECTION ANSI 14.5M			
CLIENT / DESCRIPTION 625 GALLON VERTICAL		 <p>Ace Roto-Mold A DIVISION OF DEN HARTOG INDUSTRIES, INC.</p>	

REV	DESCRIPTION	DATE APPRD.
ALL DIMENSIONS ARE IN DECIMAL INCHES TOLERANCES UNLESS OTHERWISE SPECIFIED ± 1% @ 68°F		
SCALE	PART NO.	
NONE	VT0625-64	