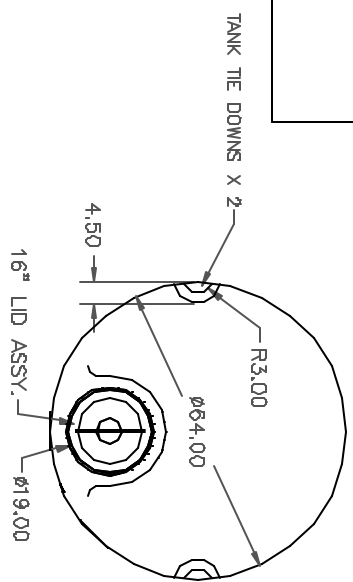


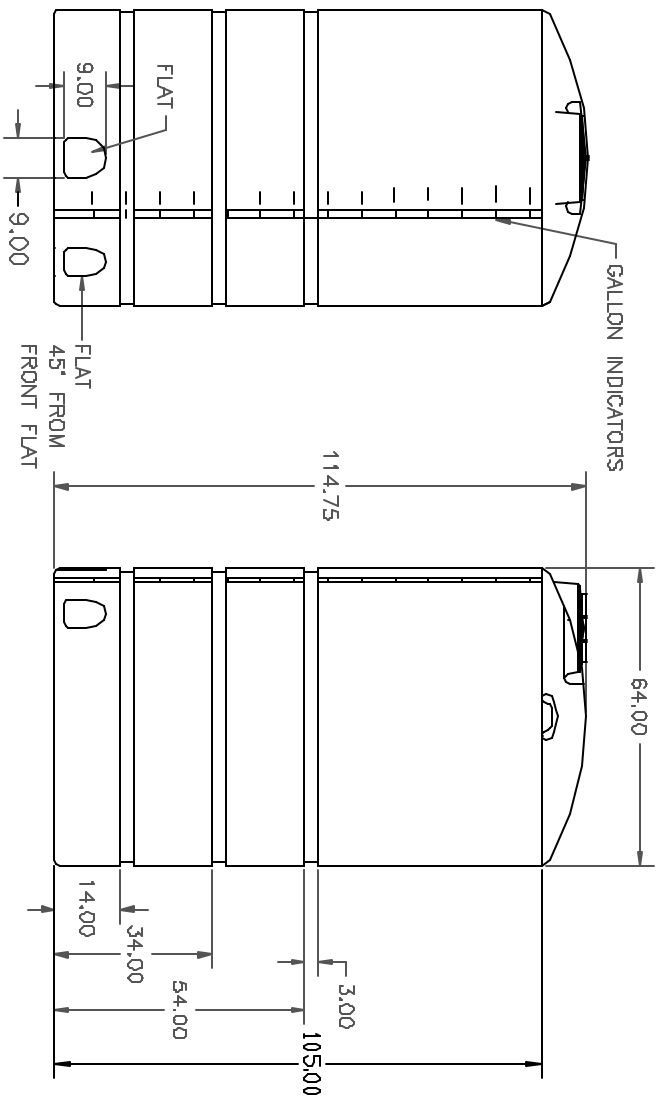
PROPRIETARY DATA

PROPERTY OF ACE ROTOMOLD MFG., INC. INFORMATION FURNISHED HEREON IS THE PROPERTY OF ACE ROTOMOLD MFG., INC. AND SHALL NOT BE USED, REPRODUCED, COPIED, OR TRANSMITTED IN ANY FORM OR BY ANY MEANS, WITHOUT THE EXPRESS WRITTEN CONSENT OF ACE ROTOMOLD MFG., INC. ALL RIGHTS RESERVED.

VT1510-64



1. HEAVY DUTY POLYETHYLENE CONSTRUCTION
2. 1 PIECE ROTATIONALLY MOLDED
3. TRANSLUCENT
4. FDA APPROVED RESIN
5. CALIBRATED IN GALLONS
6. THREE YEAR WARRANTY
7. UV STABILIZED



REV	DESCRIPTION	DATE	APPRD

DRAWN / DATE	DHJ 11/12/13
APPRD. / DATE	
MATERIAL	
NOTES:	

ALL DIMENSIONS ARE IN DECIMAL INCHES TOLERANCES UNLESS OTHERWISE SPECIFIED	
---	--

CLIENT / DESCRIPTION	1510 GALLON VERTICAL TANK
SCALE	N.S.
PART NO.	VT1500-64

