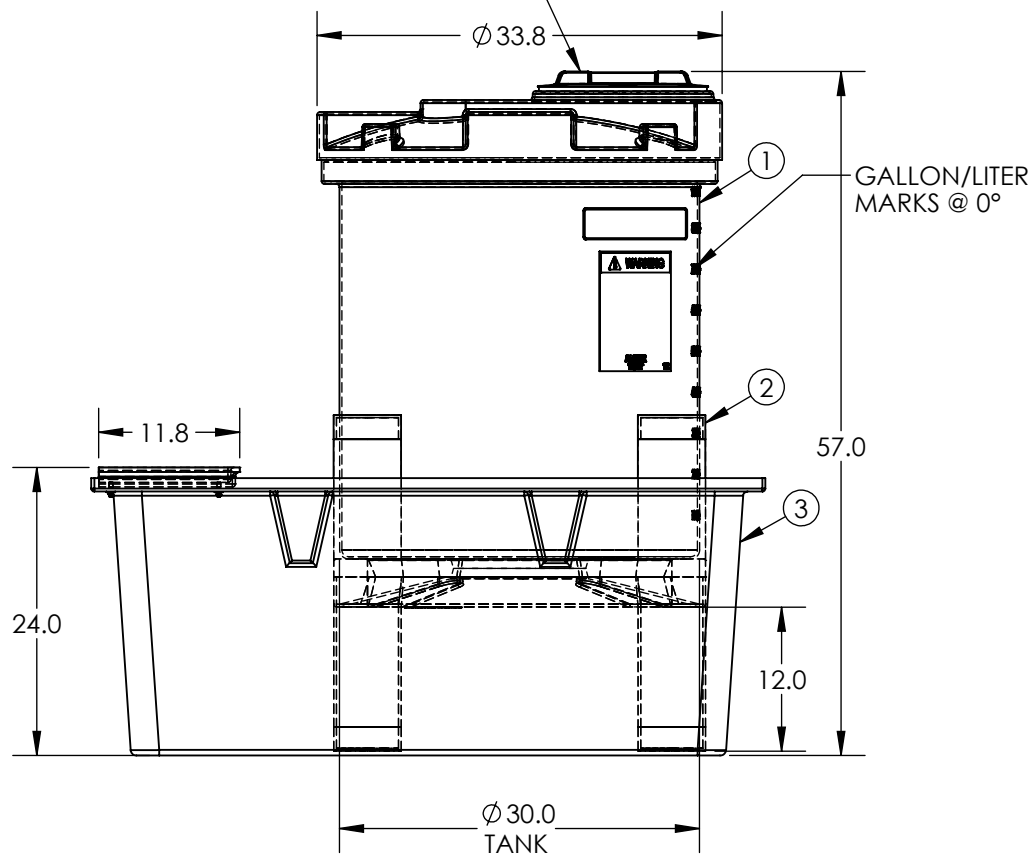


14" PE THREADED/VENTED  
MANWAY W/11-3/8" ACCESS



④ SHRINK WRAP NOT SHOWN

ITEM NO.	QTY.	PART NUMBER	DESCRIPTION
4	1	00000171	PROTECTIVE PLASTIC PACKAGING 200 - 850
3	1	1007800N97802	ASM CNT 185 HD/BLK W/SHELF
2	1	1690000N97601	ASM STAND FLAT/CONE 30X12 HD/RED
1	1	5690100N__01	ASM TK 90VNT X 30

DO NOT SCALE			DRAWN BY	DATE		TITLE:	REVISION
STATUS: <b>Released</b>			SB	06/27/2014		<b>SNYDER</b> INDUSTRIES, INC.	<b>ASM TK 90VNT CHEMFED W/STND</b>
© SNYDER INDUSTRIES INC., 2014					4700 Fremont Street Lincoln, NE 68504 (402) 467-5221 www.snyderne.com	PART NO.	ENG. ID.
						<b>5690104N</b>	<b>D002253</b>

**\*ALL EXTERNAL PIPING MUST BE INDEPENDENTLY SUPPORTED.**  
**\*ONLY BASE FITTINGS TO BE LEFT INSTALLED AT TIME OF SHIPMENT PER SII PROCEDURE.**  
**\*Consult Snyder's Guidelines for Use and Installation prior to delivery.**  
 Available on-line at <http://www.snyderindustriestanks.com/Technical>  
**ALL DIMENSIONS ARE IN INCHES, NOMINAL, & SUBJECT TO CHANGE WITHOUT NOTICE.**  
**ALL DIMENSIONS ON ROTATIONAL MOLDED PARTS ARE SUBJECT TO A ± 3% TOLERANCE.**