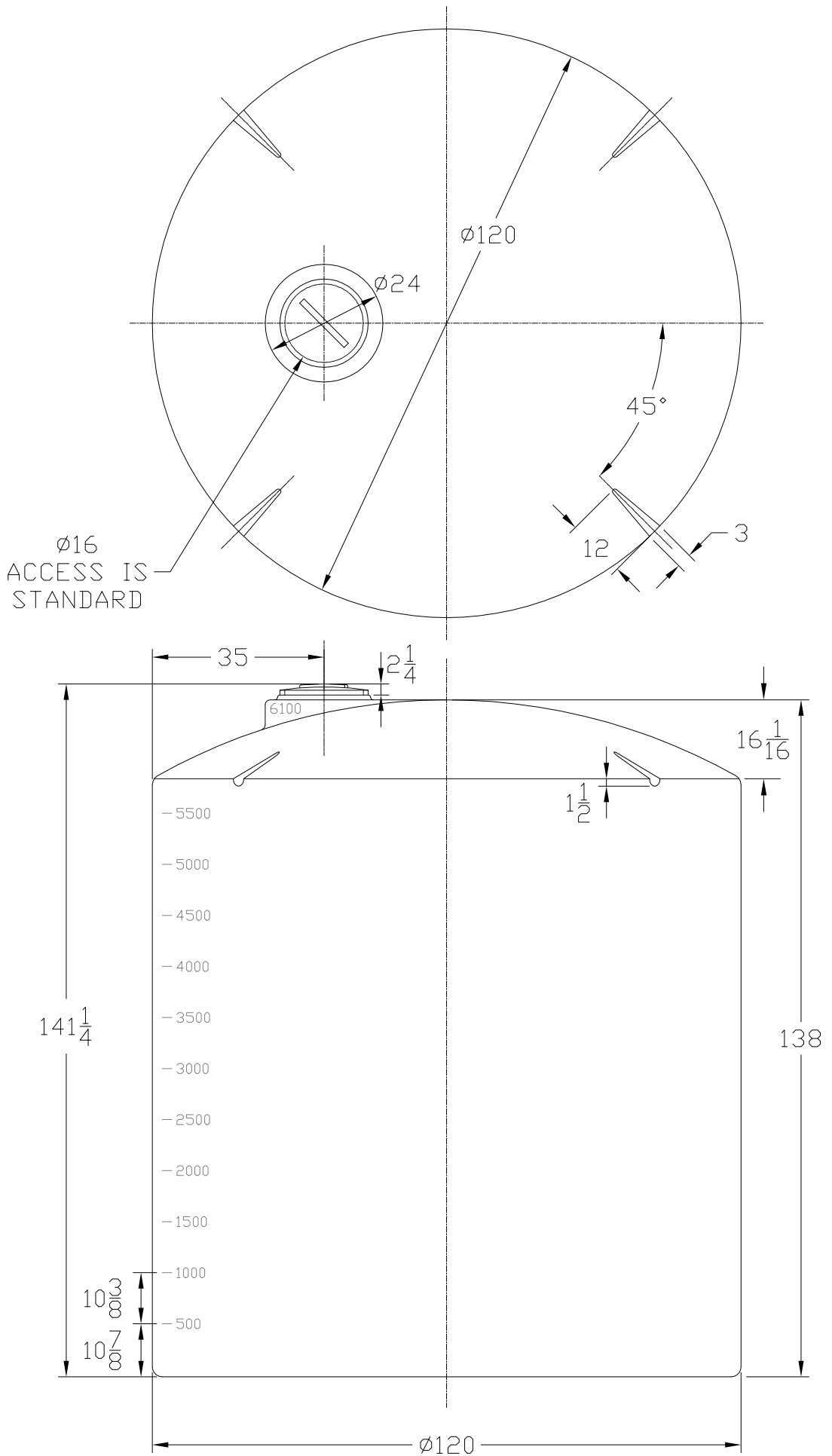


THIS DRAWING & DESIGN IS THE PROPERTY OF CHEM-TAINER INDUSTRIES INC. IT MAY NOT BE USED FOR ANY PURPOSE OTHER THAN BY THE OWNER. CHEM-TAINER DOES NOT AUTHORIZE THE REPRODUCTION OR CONVEYANCE OF ANY INFORMATION CONTAINED HEREIN.



ALL DIMENSIONS SHOWN ARE OUTSIDE PART DIMENSIONS IN INCHES, AND VARY BY THE STANDARD ROTATIONAL MOLDING TOLERANCE OF ±2%.

Rev. 0	Date 07/12/00	File Name IA6100-1
<b>CHEM-TAINER</b>		Industries Inc.
361 Neptune Ave. W. Babylon, NY 11704 (631) 661-8300 Fax: (631) 661-8209		Drawn By: IIA
TITLE 6100 GAL. VERT. STORAGE TANK		Mold Location 00
Part # TN6100IA/IC	Dwg. # C-6100-1N	Cust. Rep.