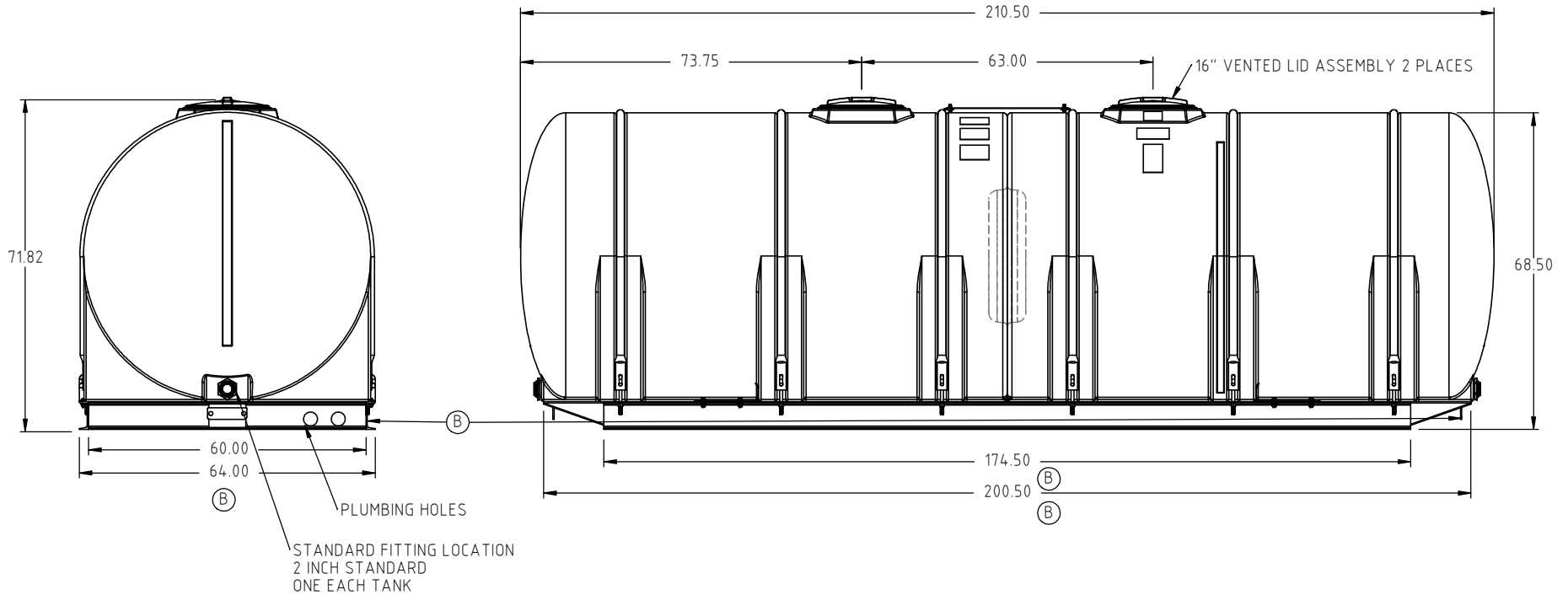


Copyright. All information furnished within this document, electronic file or design correspondence is the property of Den Hartog Industries, Inc. and shall not be used, disclosed to others or copied without the expressed written consent of Den Hartog Industries, Inc.



CAUTION: TWO COMPARTMENT TANKS MUST BE PLUMBED TO DRAIN EQUALLY. DO NOT USE TANKS AS INDIVIDUAL STORAGE COMPARTMENTS.

C	BAFFLE FEATURES REMOVED. DRAWING TEMPLATE UPDATED.	ADH 7/14/16	3260	DRAWN / DATE	MATERIAL  SEE COMPONENTS
B	SKID UPDATED	ADH 2/25/08	1604	REH 03/02/01	
A	CHANGE TO FS PART #	4/3/07		APPRD. / DATE	
REV	DESCRIPTION	BY / DATE	CCN	REH 03/02/01	
ALL DIMENSIONS ARE IN DECIMAL INCHES TOLERANCES UNLESS OTHERWISE SPECIFIED		THIRD ANGLE PROJECTION ANSI 14.5M		SHOT WEIGHT:	NOTES: 1.) AVAILABLE IN NATURAL OR YELLOW COLOR
POLYETHYLENE	METAL DECIMAL ± .125" FRACTION ± 1/4" ANGLE ± 1°			SHIPPING WEIGHT: 2020.00 LBS	
±1% @ 68°F				FINISH:	



**Den Hartog**  
INDUSTRIES, INC.

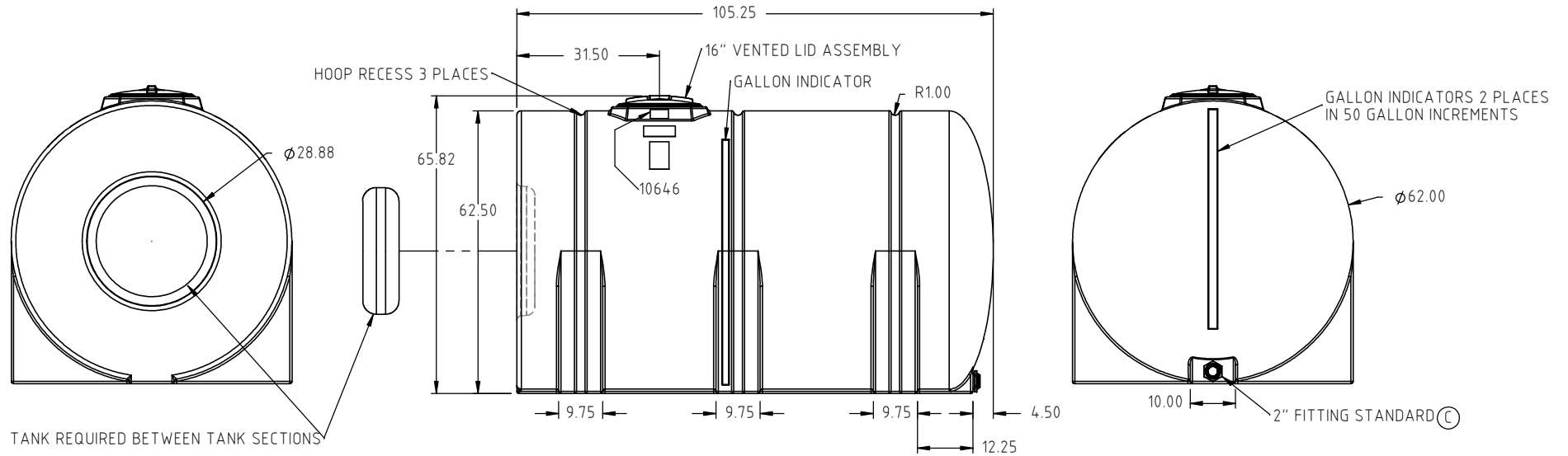
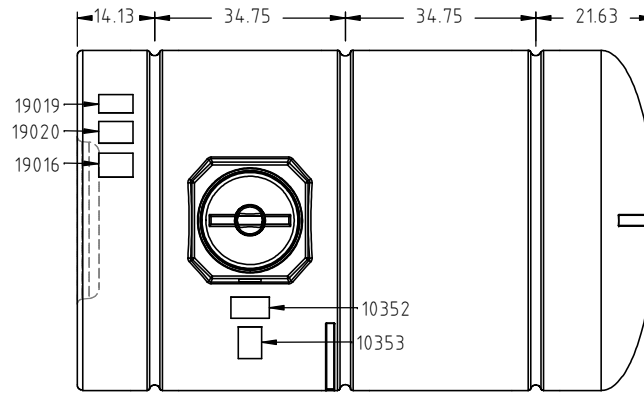
Ace Roto-Mold Injection Molding Blow Molding Sowjoy

4010 HOSPERS DRIVE S. BOX 425, HOSPERS, IOWA 51238-0425

DESCRIPTION	2600 GAL. SECTIONAL TANK WITHOUT SUMP	
SCALE	N.S.	PART NO. FS2600-2W

Copyright. All information furnished within this document, electronic file or design correspondence is the property of Den Hartog industries, Inc. and shall not be used, disclosed to others or copied without the expressed written consent of Den Hartog Industries, Inc.

CAUTION: TWO COMPARTMENT TANKS MUST BE PLUMBED TO DRAIN EQUALLY. DO NOT USE TANKS AS INDIVIDUAL STORAGE COMPARTMENTS.



TANK REQUIRED BETWEEN TANK SECTIONS

NOTE: 3 HOOPS ARE REQUIRED ON THIS TANK

D	BAFFLE FEATURES REMOVED. DRAWING LAYOUT UPDATED.	ADH 6/30/16	3260	DRAWN / DATE REH 3/02/01	MATERIAL  HDPE
C	STANDARD FITTING LOCATION NOTE ADDED	ADH 10/14/11	2307	APPRD. / DATE DHJ 3/2/01	
B	REVISE SUMP WAS 8X8	DHJ 11/6/07			
A	CHANGE PART NUMBER	3/29/06			
REV	DESCRIPTION	BY / DATE	CCN		
ALL DIMENSIONS ARE IN DECIMAL INCHES TOLERANCES UNLESS OTHERWISE SPECIFIED		THIRD ANGLE PROJECTION ANSI 14.5M		SHOT WEIGHT: 425.00 LBS	NOTES: 1.) AVAILABLE IN NATURAL OR YELLOW COLOR 2.) NOM. WALL= 0.400
POLYETHYLENE		METAL DECIMAL ± .125" FRACTION ± 1/4" ANGLE ± 1°		SHIPPING WEIGHT:	
±1% @ 68°F				FINISH:	



**Den Hartog**  
INDUSTRIES, INC.

Ace Roto-Mold Injection Molding Blow Molding Sowjoy

4010 HOSPERS DRIVE S. BOX 425, HOSPERS, IOWA 51238-0425

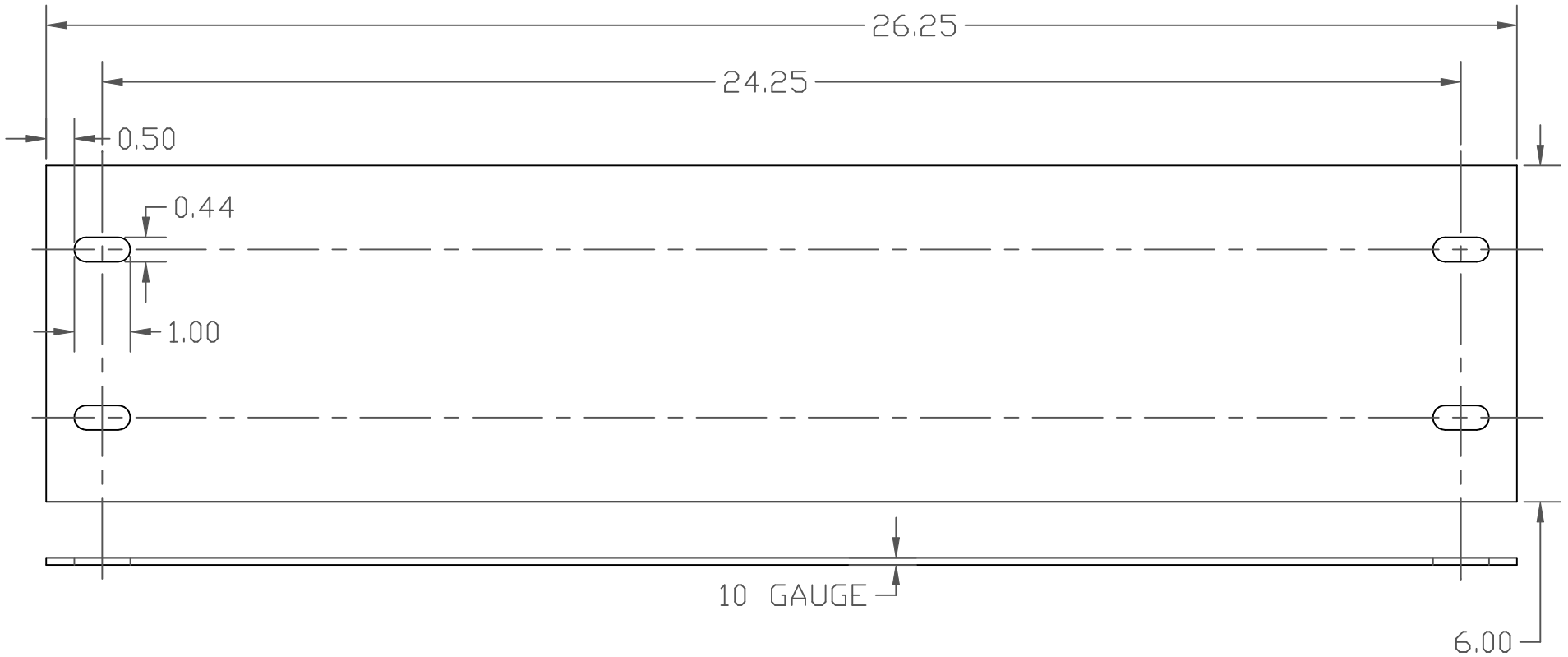
DESCRIPTION 1295 GAL. SECTIONAL TANK, END SUMP	
SCALE N.S.	PART NO. FS1295-62FS


PROPRIETARY DATA

INFORMATION FURNISHED HEREIN IS THE PROPERTY OF DEN HARTOG INDUSTRIES INC. AND SHALL NOT BE USED, DISCLOSED TO OTHERS, OR COPIED WITHOUT EXPRESSED WRITTEN CONSENT OF DEN HARTOG IND. ALL RIGHTS RESERVED.

FS2600-CP

A



		DRAWN /DATE DHJ 4/13/07		MATERIAL		 <b>Ace Roto-Mold</b> A DIVISION OF DEN HARTOG INDUSTRIES, INC. 4018 HWY. 60 BLVD., BOX 421, HOSPERS, IOWA 51238	
A		APPRD. /DATE ADH 11/9/07		MILD STEEL S-10 GA.			
REV	DESCRIPTION	DATE	APPRD.	NOTES:		CLIENT / DESCRIPTION	
	MATERIAL CHANGE CCN1306	DHJ 5/7/07	ADH	ALL DIMENSIONS ARE IN DECIMAL INCHES TOLERANCES UNLESS OTHERWISE SPECIFIED ± .030		CONNECTING PLATE FOR 2 TANK 2600 LEG	
						SCALE NONE	PART NO. FS2600-CP

