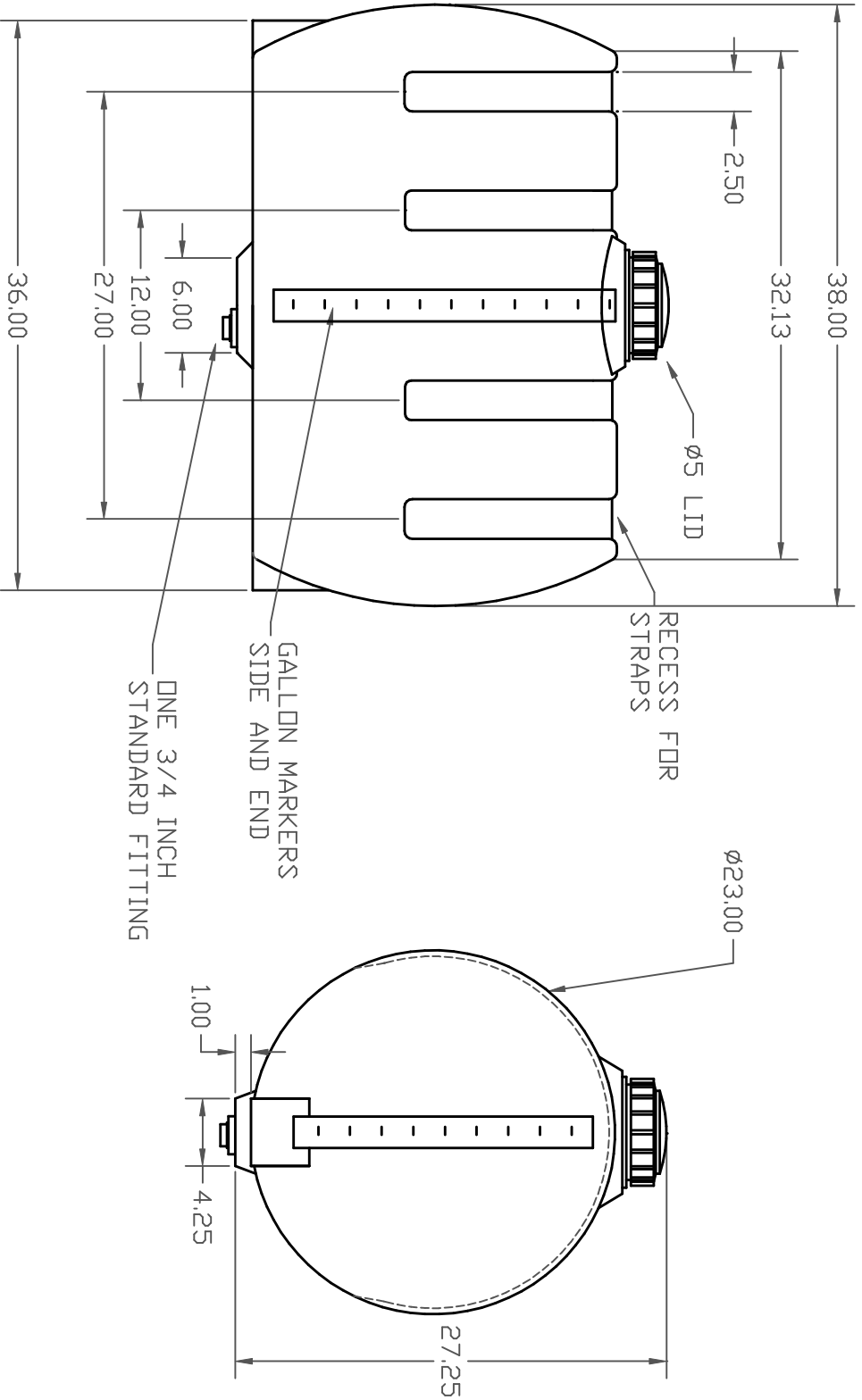


PROPERTY OF ACE ROTO-MOLD MFG., INC. INFORMATION FURNISHED HEREIN IS THE PROPERTY OF ACE ROTO-MOLD MFG., INC. AND SHALL NOT BE USED, DISCLOSED TO OTHERS, OR COPIED WITHOUT THE EXPRESSED WRITTEN CONSENT OF ACE ROTO-MOLD MFG., INC. ALL RIGHTS RESERVED.



DRAWN / DATE NVE 6/6/05		MATERIAL	
APPRD. / DATE DHJ 6/21/05		HOPE OR EQUIVALENT REFERENCE MATERIAL DATA SHEET FOR SPECIFIC PROPERTIES.	
THIRD ANGLE PROJECTION ANSI 14.5M		NOTES: 1. NOM. WALL @ 0.200 2. WHITE OR COLOR 3. SHOT WEIGHT 23 LBS.	
CLIENT / DESCRIPTION 55 GALLON HORIZONTAL TANK		ACE ROTO-MOLD A DIVISION OF DEN HARTOG INDUSTRIES, INC. 4018 HWY. 60 BLVD., BOX 421, HOSPERS, IOWA 51238	
SCALE N.S.		PART NO. HZ0055 -23	
REV	DESCRIPTION	DATE	APPRD.
A	UPDATE FITTING	9/6/06	

ALL DIMENSIONS ARE IN DECIMAL INCHES  
TOLERANCES UNLESS OTHERWISE SPECIFIED  
+ 1% @ 68° F